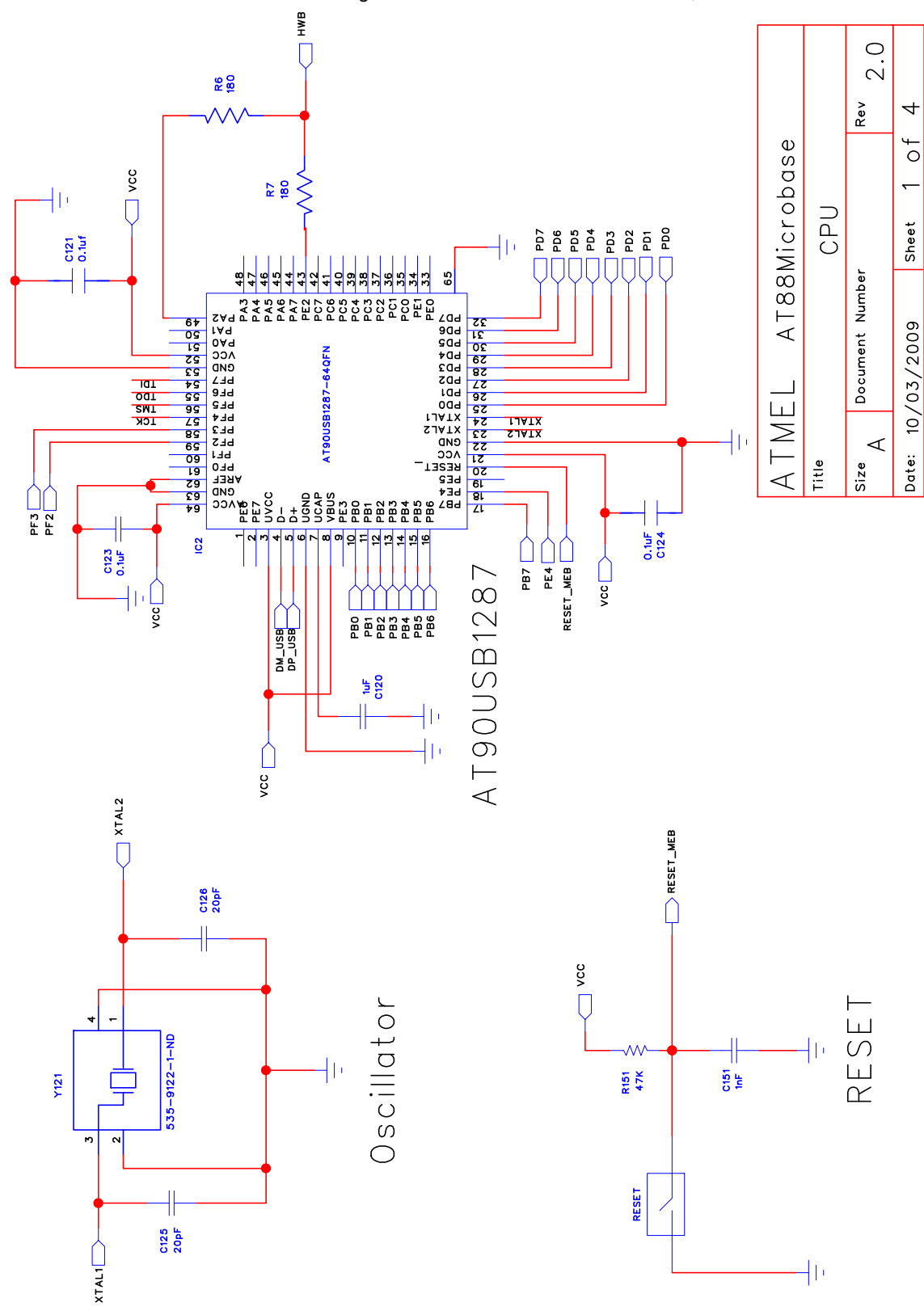
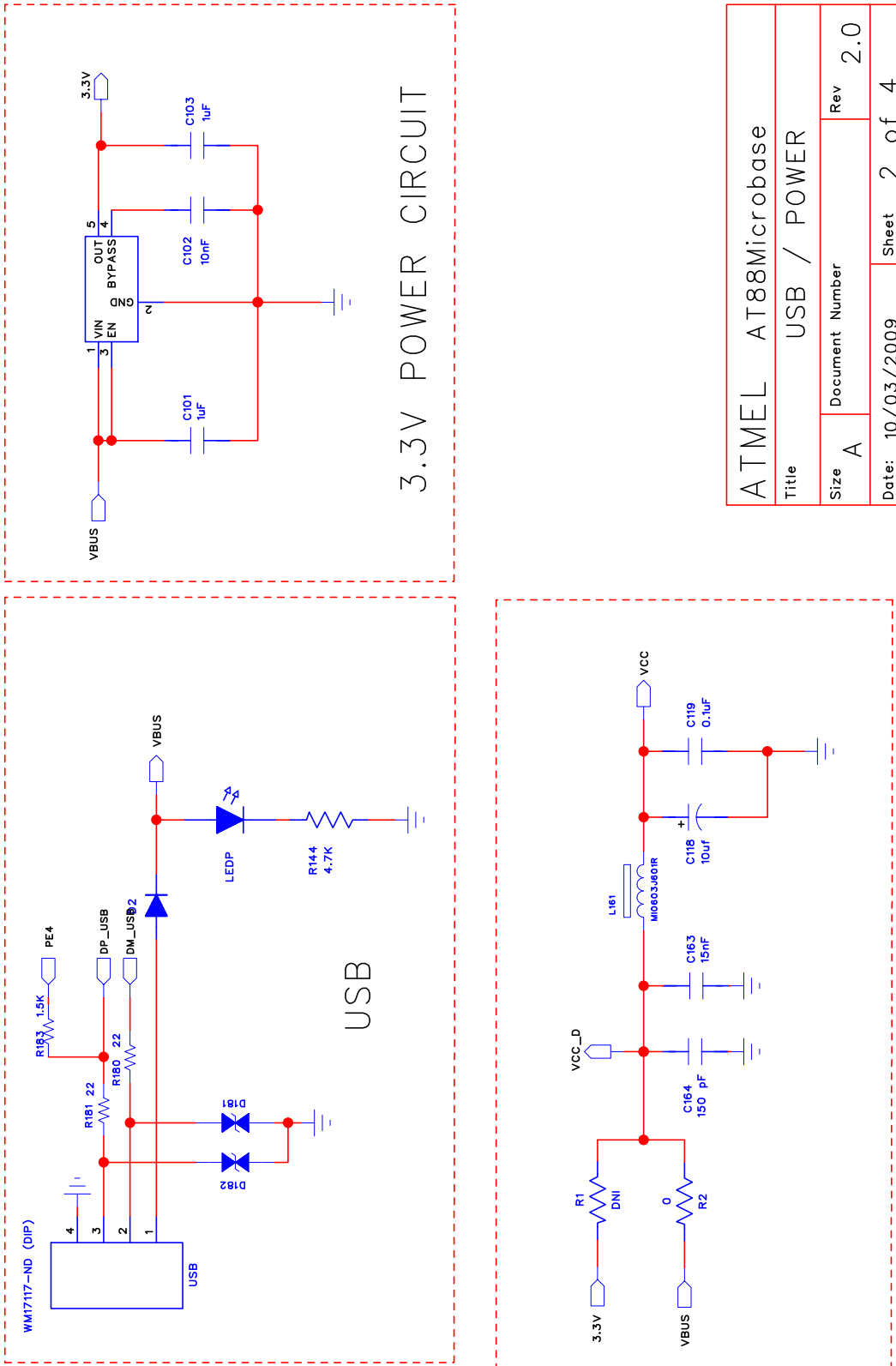


Figure 1. AT88Microbase Schematic, 1 of 4



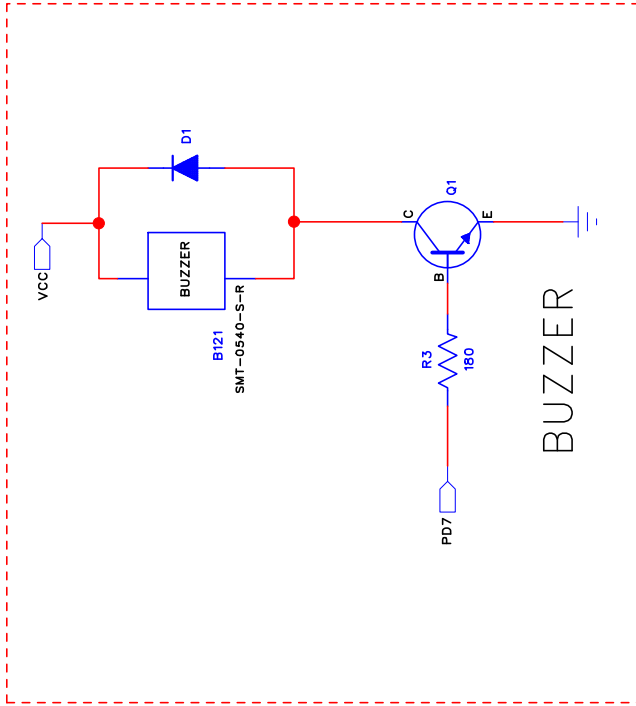
| | |
|---------------------|-------------------------|
| ATMEL AT88Microbase | |
| Title CPU | |
| Size A | Document Number Rev 2.0 |
| Date: 10/03/2009 | Sheet 1 of 4 |

Figure 2. AT88Microbase Schematic, 2 of 4



| | |
|---------------------|-----------------|
| ATMEL AT88Microbase | |
| Title USB / POWER | |
| Size A | Document Number |
| Date: 10/03/2009 | Rev 2.0 |
| Sheet 2 | of 4 |

Figure 3. AT88Microbase Schematic, 3 of 4



| | |
|---------------------|-------------------------|
| ATMEL AT88Microbase | |
| Title | Peripherals |
| Size A | Document Number Rev 2.0 |
| Date: 10/03/2009 | Sheet 3 of 4 |

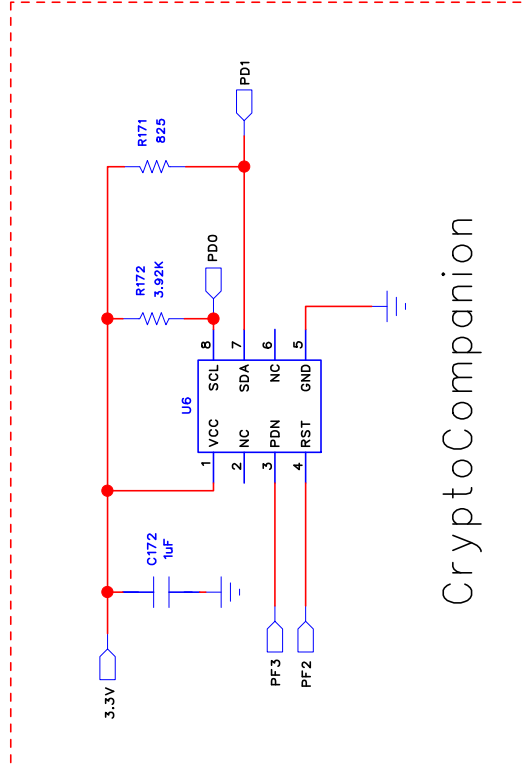
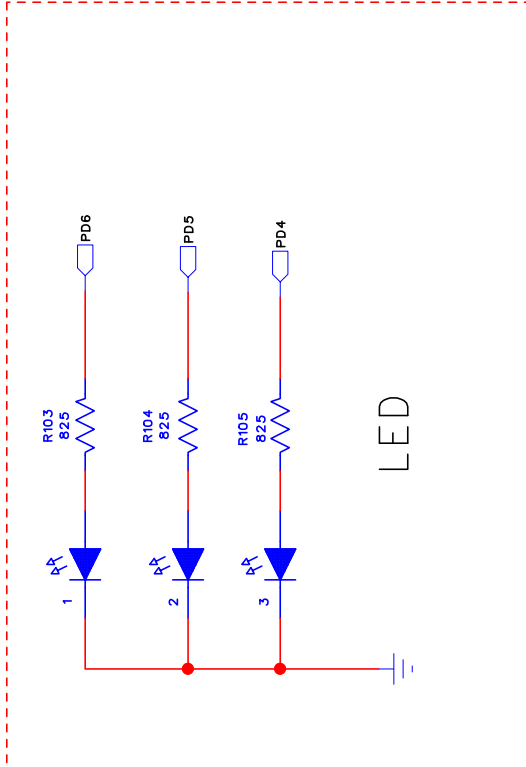
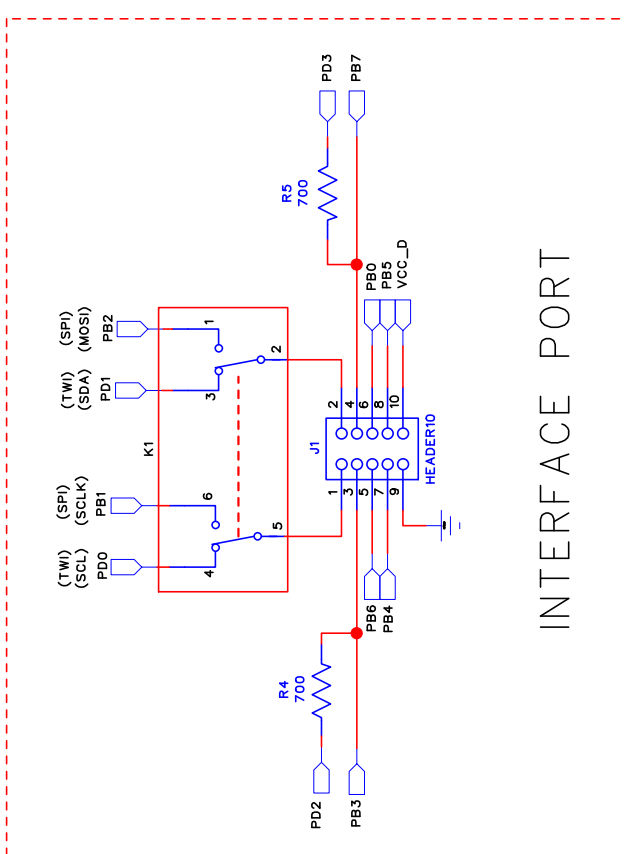
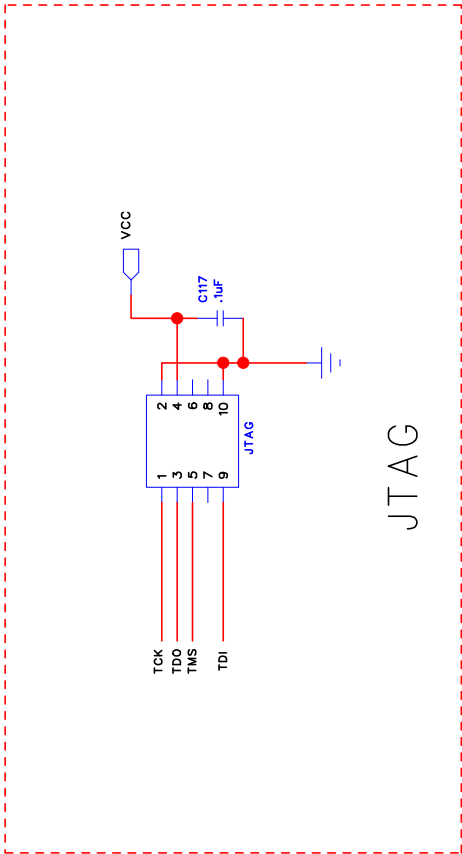
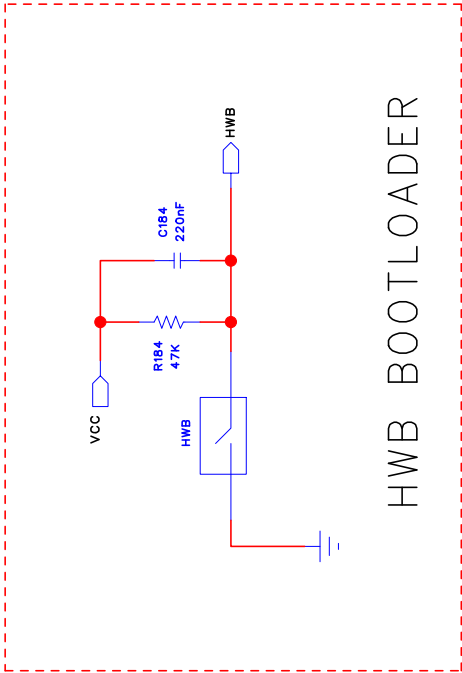


Figure 4. AT88Microbase Schematic, 4 of 4



| | |
|-------------------------------|-------------------------|
| ATMEL AT88Microbase | |
| Title PROGRAMMING / INTERFACE | |
| Size A | Document Number Rev 2.0 |
| Date: 10/03/2009 | Sheet 4 of 4 |

Figure 6. AT88Microbase Layout, Layer 2 of 4

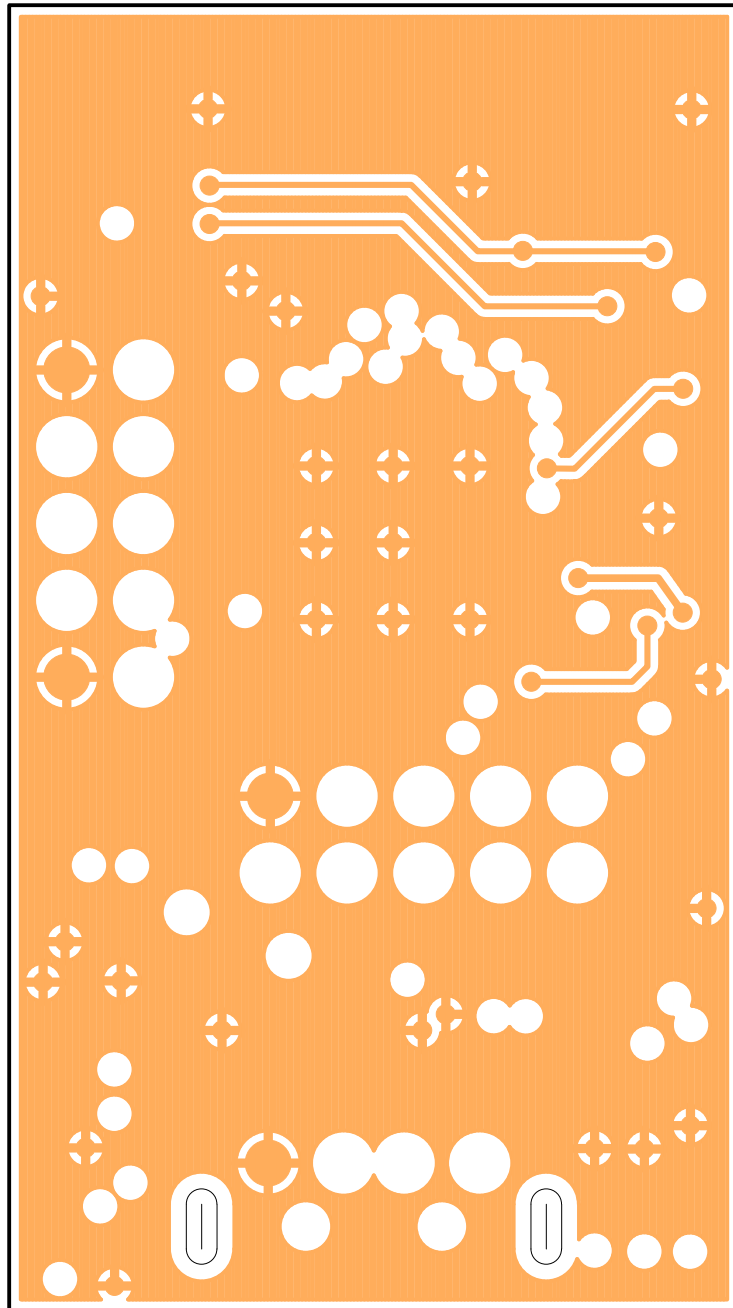


Figure 7. AT88Microbase Layout, Layer 3 of 4

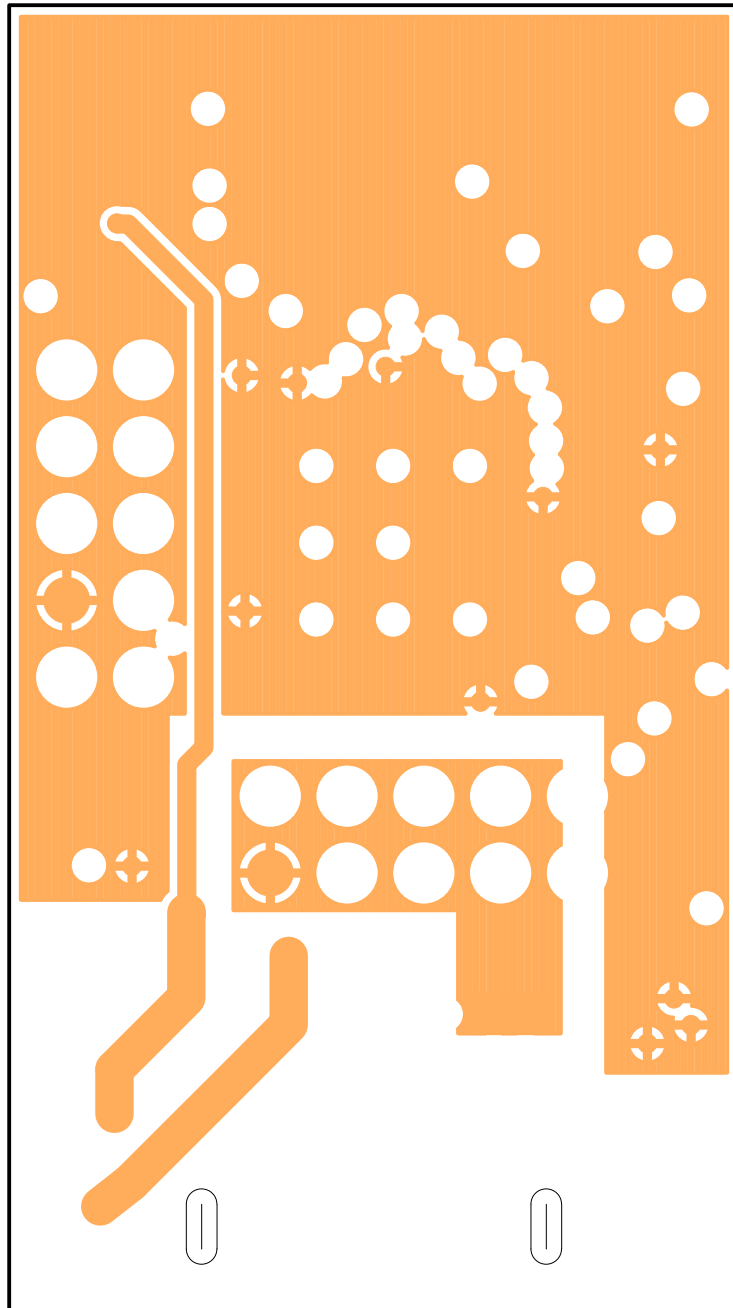


Figure 8. AT88Microbase Layout, Layer 4 of 4

