



# PIC32MZ EF FAMILY

## PIC32MZ Embedded Connectivity with Floating Point Unit (EF) Family Silicon Errata and Data Sheet Clarification

The PIC32MZ Embedded Connectivity with Floating Point Unit (EF) family of devices that you have received conform functionally to the current Device Data Sheet (DS60001320G), except for the anomalies described in this document.

The silicon issues discussed in the following pages are for silicon revisions with the Device and Revision IDs listed in [Table 1](#). The silicon issues are summarized in [Table 2](#).


The errata described in this document will be addressed in future revisions of the PIC32MZ Embedded Connectivity with Floating Point Unit (EF) family silicon.

**Note:** This document summarizes all silicon errata issues from all revisions of silicon, previous as well as current. Only the issues indicated in the last column of [Table 2](#) apply to the current silicon revision (B2).

Data Sheet clarifications and corrections (if applicable) start on [page 16](#), following the discussion of silicon issues.

The silicon revision level can be identified using the current version of MPLAB® X IDE and Microchip's programmers, debuggers and emulation tools, which are available at the Microchip corporate web site ([www.microchip.com](http://www.microchip.com)).

For example, to identify the silicon revision level using MPLAB X IDE in conjunction with a hardware debugger:

1. Using the appropriate interface, connect the device to the hardware debugger.
2. Open an MPLAB X IDE project.
3. Configure the MPLAB X IDE project for the appropriate device and hardware debugger.
4. Select *Window > Dashboard*, and then click the **Refresh Debug Tool Status** icon (  ).
5. The part number and the Device and Revision ID values appear in the **Output** window.

**Note:** If you are unable to extract the silicon revision level, please contact your local Microchip sales office for assistance.

The Device and Revision ID values for the various PIC32MZ EF Family silicon revisions are shown in [Table 1](#).

**TABLE 1: SILICON DEVREV VALUES**

Part Number	Device ID <sup>(1)</sup>	Revision ID for Silicon Revision <sup>(1)</sup>		
		A1	A3	B2
PIC32MZ0512EFE064	0x7201053	0x1	0x3	0x6
PIC32MZ0512EFF064	0x7206053			
PIC32MZ0512EFK064	0x722E053			
PIC32MZ1024EFE064	0x7202053			
PIC32MZ1024EFF064	0x7207053			
PIC32MZ1024EFK064	0x722F053			
PIC32MZ1024EFG064	0x7203053			
PIC32MZ1024EFH064	0x7208053			
PIC32MZ1024EFM064	0x7230053			
PIC32MZ2048EFG064	0x7204053			
PIC32MZ2048EFH064	0x7209053			
PIC32MZ2048EFM064	0x7231053			

**Note 1:** Refer to the “**Memory Organization**” and “**Special Features**” chapters in the current Device Data Sheet (DS60001320G) for detailed information on Device and Revision IDs for your specific device.

# PIC32MZ EF FAMILY

**TABLE 1: SILICON DEVREV VALUES (CONTINUED)**

Part Number	Device ID <sup>(1)</sup>	Revision ID for Silicon Revision <sup>(1)</sup>		
		A1	A3	B2
PIC32MZ0512EFE100	0x720B053	0x1	0x3	0x6
PIC32MZ0512EFF100	0x7210053			
PIC32MZ0512EFK100	0x7238053			
PIC32MZ1024EFE100	0x720C053			
PIC32MZ1024EFF100	0x7211053			
PIC32MZ1024EFK100	0x7239053			
PIC32MZ1024EFG100	0x720D053			
PIC32MZ1024EFH100	0x7212053			
PIC32MZ1024EFM100	0x723A053			
PIC32MZ2048EFG100	0x720E053			
PIC32MZ2048EFH100	0x7213053			
PIC32MZ2048EFM100	0x723B053			
PIC32MZ0512EFE124	0x7215053			
PIC32MZ0512EFF124	0x721A053			
PIC32MZ0512EFK124	0x7242053			
PIC32MZ1024EFE124	0x7216053			
PIC32MZ1024EFF124	0x721B053			
PIC32MZ1024EFK124	0x7243053			
PIC32MZ1024EFG124	0x7217053			
PIC32MZ1024EFH124	0x721C053			
PIC32MZ1024EFM124	0x7244053			
PIC32MZ2048EFG124	0x7218053			
PIC32MZ2048EFH124	0x721D053			
PIC32MZ2048EFM124	0x7245053			
PIC32MZ0512EFE144	0x721F053	0x1	0x3	0x6
PIC32MZ0512EFF144	0x7224053			
PIC32MZ0512EFK144	0x724C053			
PIC32MZ1024EFE144	0x7220053			
PIC32MZ1024EFF144	0x7225053			
PIC32MZ1024EFK144	0x724D053			
PIC32MZ1024EFG144	0x7221053			
PIC32MZ1024EFH144	0x7226053			
PIC32MZ1024EFM144	0x724E053			
PIC32MZ2048EFG144	0x7222053			
PIC32MZ2048EFH144	0x7227053			
PIC32MZ2048EFM144	0x724F053			

**Note 1:** Refer to the “Memory Organization” and “Special Features” chapters in the current Device Data Sheet (DS60001320G) for detailed information on Device and Revision IDs for your specific device.

# PIC32MZ EF FAMILY

**TABLE 2: SILICON ISSUE SUMMARY**

Module	Feature	Issue	Issue Summary	Affected Revisions <sup>(1)</sup>		
				A1	A3	B2
Oscillator Reference: DSCAPP-4769	Reference Clock	1.	The Reference Clock cannot divide input frequencies greater than 100 MHz.	X	X	X
Oscillator Reference: DSCAPP-4905	Primary Oscillator Crystal	2.	<b>Revision A1 Silicon:</b> A crystal oscillator cannot be used as an input to the Primary Oscillator (OSC1/ OSC2 pins). <b>Revision A3 and B2 Silicon:</b> The Primary Oscillator has been tested in a normal power-up sequence and supports specific crystal operation.	X	X	X
Oscillator Reference DSCAPP-4931	FRC Tuning	3.	The OSCTUN register only increases the frequency of the FRC.	X		
Secondary Oscillator Reference: DSCAPP-4923	Crystal Use	4.	The Secondary Oscillator (Sosc) does not support crystal operation.	X	X	
Power-Saving Reference: DSCAPP-4842	PMD bits	5.	Turning off REFCLK through the PMD bits causes unpredictable device behavior.	X	X	
I <sup>2</sup> C Reference: DSCAPP-4878	—	6.	The I <sup>2</sup> C module does not function reliably under certain conditions.	X	X	
UART Reference: DSCAPP-4702	Auto-baud	7.	The Auto-baud feature does not function to set the baud rate.	X	X	X
UART Reference: DSCAPP-4666	Synchronization	8.	On a RX FIFO overflow, shift registers stop receiving data, which causes the UART to lose synchronization.	X	X	X
USB Reference: DSCAPP-4425	Suspend Mode	9.	The USB module will not function if the device enters Sleep mode and the USB PHY is turned off by setting the USBSEN bit in the CFGCON register to '1'.	X	X	X
Power-Saving Modes Reference: DSCAPP-4849	Sleep Mode	10.	The device may not exit Sleep mode.	X	X	
ADC Reference: DSCAPP-5018	Digital Filters	11.	Using multiple digital filters may result in data not being captured accurately.	X	X	

**Note 1:** Only those issues indicated in the last column apply to the current silicon revision.

# PIC32MZ EF FAMILY

**TABLE 2: SILICON ISSUE SUMMARY (CONTINUED)**

Module	Feature	Issue	Issue Summary	Affected Revisions <sup>(1)</sup>		
				A1	A3	B2
ADC Reference: DSCAPP-5021	Level Trigger	12.	The ADC level trigger will not perform burst conversions in Debug mode.	X	X	
ADC Reference: DSCAPP-5124	DNL	13.	In Differential mode, DNL for code 3072 is out of specification.	X	X	X
ADC Reference: DSCAPP-5121	Low-voltage Operation	14.	When the operating voltage (VDD/AVDD) is below 2.5V (i.e., charge pumps are ON), only one ADC core can be used.	X	X	X
ADC Reference: DSCAPP-5176	Turbo Mode	15.	Turbo mode is not functional.	X	X	X
USB Reference: DSCAPP-5189	Resume	16.	The USB module does not support remote wake-up.	X	X	X
Oscillator Reference: DSCAPP-5143	External Clock Mode	17.	The EC mode timing specifications for the Primary Oscillator (Posc) are not met.	X		
Temperature Sensor Reference: DSCAPP-5052	—	18.	The Temperature Sensor does not function.	X	X	X
ICSP Reference: DSCAPP-5186	TDO	19.	The TDO pin becomes an output and toggles while programming on any ICSP™ PGECx/PGEDx pair.	X	X	X
DMA Reference: DSCAPP-5144	PMD bits	20.	Setting the PMD bit for DMA (PMD7<4>) does not disable clocks or the DMA peripheral.	X	X	X
PMP Reference: DSCAPP-5068	Status Bits	21.	The PMP input buffer full flag, IB0F, and the output buffer underflow, OBUF, are set as soon as the PMP is turned on in Slave mode (when TTLEN = 1).	X	X	X
Sleep Reference: CHIP002-2557	IPD	22.	A 3 mA increase occurs during Sleep mode when PB5DIV is disabled.	X	X	X
SQI Reference: M32DOC-438	RX/TX FIFO	23.	The SQI may continuously receive invalid data or fail to transmit when the SQICLKDIV is used.	X	X	X

**Note 1:** Only those issues indicated in the last column apply to the current silicon revision.

# PIC32MZ EF FAMILY

**TABLE 2: SILICON ISSUE SUMMARY (CONTINUED)**

Module	Feature	Issue	Issue Summary	Affected Revisions <sup>(1)</sup>		
				A1	A3	B2
POR Reference: M32DOC-444	GPIO	24.	Whenever VDD is less than 1.75V, the I/O pin states may be indeterminate.	X	X	
Crypto Reference: M32DOC-446	Partial Packet	25.	The cryptographic DMA module does not support partial packet processing.	X	X	X
Crypto Reference: M32DOC-460	Zero Length Packet	26.	Zero length packets fail to process. The crypto DMA does not support an empty string hash.	X	X	X
SPI Reference: M32DOC-437	Block Transmission	27.	At the end of a transmission, the SRMT bit can indicate the completion of the transmission for one PBCLK even though the transmission has one block remaining.	X	X	X
SQI Reference: M32DOC-461	Special Function Registers	28.	The CPU stalls if the SQI Special Function Registers are read before the REFCKO2 clock is enabled after a Reset.	X	X	X
Sleep Reference: M32DOC-462	Wake-ups	29.	Multiple sleep attempts which occur before the CPU has fully awakened, may stall the CPU until the next reset event.	X	X	X
Security Reference: M32DOC-723	System Bus Access	30.	The note at the end of the CFGPG register (Register no. 34-10) indicates that the CPU as system bus initiator is controlled within the CPU core is incorrect. The CPU core internal state will not control the CPU system bus initiator permission group.	X	X	
UART Reference:M32DOC-744	High Speed Mode	31.	The UART Stop bit duration is shorter than expected in High-Speed mode (UxMODE.BRGH =1) for baud rates less than 7.5 Mbps.	X	X	X
Reset Reference:M32DOC-1064	NMI Number	32.	The NMI_CNT bit field in the RNMICON register is 8 bits instead of 16 bits.	X	X	
I2C3 Reference: I2C007-159	I2C3	33.	I <sup>2</sup> C3 on the A3 revision is non functional.		X	
Host Disconnect Detection Reference: USB009-43	Host Disconnect Detection	34.	The USB Host module does not wake up CPU from sleep when a USB device is disconnected.	X	X	X
LPM Reference: USB007-34	LPM	35.	The USB Link Power Management (LPM) feature is not functional.	X	X	X

**Note 1:** Only those issues indicated in the last column apply to the current silicon revision.

# PIC32MZ EF FAMILY

TABLE 2: SILICON ISSUE SUMMARY (CONTINUED)

Module	Feature	Issue	Issue Summary	Affected Revisions <sup>(1)</sup>		
				A1	A3	B2
<a href="#">Host Resume Reference: USB008-34</a>	Host Resume	36.	The USB Host module does not send correct resume signal on the USB bus on subsequent suspend/resume sequences.	X	X	X
<a href="#">I2C Reference: I2C007-297</a>	Speed	37.	The I <sup>2</sup> C module does not meet low period of the SCL clock (tLOW) parameter from I <sup>2</sup> C specification for clock frequency >= 400 kHz.	X	X	X
<a href="#">System Bus Reference: M32DOC-1926</a>	Speed	38.	When SYSCLK >184 MHz and Flash Wait states = 2, device operation does not conform to published PROGRAM FLASH MEMORY WAIT STATES specification.			X

**Note 1:** Only those issues indicated in the last column apply to the current silicon revision.

# PIC32MZ EF FAMILY

## Silicon Errata Issues

**Note:** This document summarizes all silicon errata issues from all revisions of silicon, previous as well as current. Only the issues indicated by the shaded column in the following tables apply to the current silicon revision (**B2**).

### 1. Module: Oscillator Reference: DSCAPP-4769

The Reference Module cannot divide input frequencies greater than 100 MHz. Therefore, SYSCLK cannot be divided if the SYSCLK operates at frequencies greater than 100 MHz.

#### Work around

Instead of using SYSCLK, use PBCLK1 as the input, which is limited to 100 MHz and is synchronized to SYSCLK.

Alternatively, do not divide the SYSCLK and allow the destination peripheral (i.e., SQI, SPI) to divide it as needed. To do this, set the RODIV<14:0> bits and the ROTRIM<8:0> bits to '0'.

#### Affected Silicon Revisions

A1	A3	B2					
X	X	X					

### 2. Module: Oscillator Reference: DSCAPP-4905

**Revision A1 Silicon:** A crystal oscillator cannot be used as an input to the Primary Oscillator (Posc) pins OSC1 and OSC2.

#### Silicon Work around

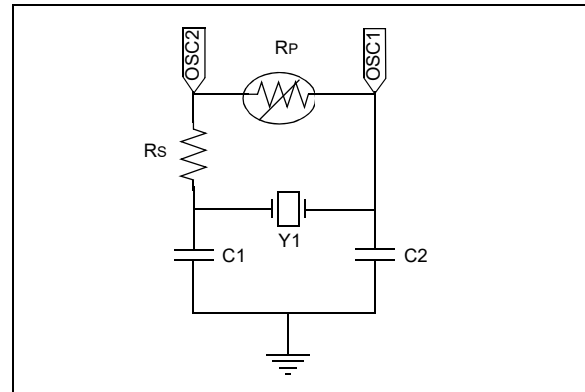
Use an external clock or the Internal FRC Oscillator.

**Revision A3 and B2 Silicon:** The Posc has been tested in a normal power-up sequence and supports specific crystal operation.

#### Silicon Work around 1

The Primary Oscillator (Posc) has been characterized to operate at 8 MHz, 12 MHz, and 24 MHz when the circuit in [Figure 1](#) is implemented, and the operating conditions listed in [Table 3](#) are met.

**FIGURE 1: Posc CRYSTAL CIRCUIT**



**TABLE 3: CRYSTAL SPECIFICATIONS**

Crystal Frequency (see Note 1)	Series Resistor (Rs)	Posc Gain Setting POSCGAIN<1:0> (DEVCFG0<20:19>)	Posc Boost Setting POSCBOOST (DEVCFG0<21>)
8 MHz	2 kΩ	'0b00 (GAIN_0)	'0b1 (ON)
12 MHz	1 kΩ	'0b00 (GAIN_0)	'0b1 (ON)
24 MHz	0 kΩ	'0b00 (GAIN_0)	'0b1 (ON)

- Note 1:** Using any other crystal frequency will require special component selection and characterization.  
**Note 2:** A parallel resistor (Rp) should not be used to increase the gain of the POSC.

#### Silicon Work around 2

Alternatively, use an external clock or the Internal FRC oscillator.

#### Affected Silicon Revisions

A1	A3	B2					
X	X	X					

# PIC32MZ EF FAMILY

### 3. Module: Oscillator Reference DSCAPP-4931

The OSCTUN register only increases the frequency of the FRC, which results in the TUN<5:0> bits (OSCTUN<5:0>) functioning as follows:

**TUN<5:0>:** FRC Oscillator Tuning bits

111111 = Center frequency +4%

111110 =

.

.

000001 =

000000 = Center frequency; Oscillator runs at nominal frequency (8 MHz)

#### Work around

None.

#### Affected Silicon Revisions

A1	A3	B2					
X							

### 4. Module: Secondary Oscillator Reference: DSCAPP-4923

A crystal oscillator cannot be used as the input to the Secondary Oscillator (SOSC) pins SOSCI and SOSCO.

#### Silicon Work around

Use an external clock source (32,768 Hz) applied to the SOSCO pin with the FSOSCEN bit (DEVCFG1<6>) set to '0' (i.e., the Sosc is disabled through the Configuration Word) for a real-time clock base; otherwise, use the internal LPRC for non-precision requirements.

#### Affected Silicon Revisions

A1	A3	B2					
X	X						

### 5. Module: Power-Saving Reference: DSCAPP-4842

Turning off the REFCLK modules through the PMD bits causes unpredictable behavior.

#### Work around

None. Do not disable the REFCLK modules through the PMD bits.

#### Affected Silicon Revisions

A1	A3	B2					
X	X						



## 6. Module: I<sup>2</sup>C Reference: DSCAPP-4878

Indeterminate I<sup>2</sup>C module behavior may result when data rates > 100 kHz and/or continuous sequential data transfers > 500 bytes are used.

The potential false intermittent error signals can result in one of the following error conditions, which are listed in order of decreasing frequency:

- **False Error Condition 1:**  
False Master Bus Collision Detect (Master-mode only) – The error is indicated through the BCL bit (I2CxSTAT<10>).
- **False Error Condition 2:**  
Receive Overflow (Master or Slave modes) – The error is indicated through the I2COV bit (I2CxSTAT<20>).
- **False Error Condition 3:**  
Suspended I<sup>2</sup>C Module Operations (Master or Slave modes) – I<sup>2</sup>C transactions in progress are inadvertently suspended without error indications.

**Note:** All three false error conditions are recoverable in software.

### Revision A1 Silicon Work around 1

#### **False Error Condition 1:**

Clear the Master Bus Collision Detect (BCL bit (I2CxSTAT<10>), after the bus returns to an Idle state. The software can monitor the S bit (I2CxSTAT<3>) and the P bit (I2CxSTAT<4>) to wait for an Idle bus. When the software services the bus collision Interrupt Service Routine and the I<sup>2</sup>C bus is free, the software can resume communication by asserting a new Start condition.

#### **False Error Condition 2:**

Clear the Receive Overflow Status flag I2COV bit (I2CxSTAT<20>), and then resume normal operation.

#### **False Error Condition 3:**

First, initialize a Timer to slightly greater than the worst case I<sup>2</sup>C transaction cycle, (i.e., from Start-to-Stop, including the sum of all other application PC flow latencies, calls, interrupts, etc.). Exact timing is not required, rather just long enough so that a normal transaction is not interrupted. Prior to the beginning of each transaction, start the timer. Be sure to stop and reset the timer after completion of each successful I<sup>2</sup>C transaction.

Then, during the Timer interrupt (meaning the I<sup>2</sup>C transaction has timed out), disable the I<sup>2</sup>C module by setting the ON bit (I2CxCON<15>) = 0. After disabling the module, wait 4 instruction cycles, after which time the I2CxSTAT register will automatically be cleared. Then, re-enable the I<sup>2</sup>C module by setting the ON bit = 1 and resume normal operation.

### Revision A1 Silicon Work around 2

Instead of using the hardware I<sup>2</sup>C module, use a software “bit-bang” implementation.

### Revision A3 Silicon Work around

The work arounds described for revision A1 silicon will also work for silicon revision A3, with the exception of I2C3, as I2C3 must use a software “bit-bang” implementation.

### Affected Silicon Revisions

A1	A3	B2					
X	X						

# PIC32MZ EF FAMILY

## 7. Module: UART Reference: DSCAPP-4702

The UART automatic baud rate feature is intended to set the baud rate during run-time based on external data input. However, this feature does not function.

### Work around

None.

### Affected Silicon Revisions

A1	A3	B2					
X	X	X					

## 8. Module: UART Reference: DSCAPP-4666

During a RX FIFO overflow condition, the shift register stops receiving data. This causes the UART to lose synchronization with the serial data stream. The only way to recover from this is to turn the UART OFF and ON until it synchronizes. This could require several OFF/ON sequences.

### Work arounds

#### Work around 1:

Avoid the RX overrun condition by ensuring that the UARTx module has a high enough interrupt priority such that other peripheral interrupt processing latencies do not exceed the time to overrun the UART RX buffer based on the application baud rate. Alternately or in addition to, set the URXISEL bits in the UxSTA register to generate an earlier RX interrupt based on RX FIFO fill status to buy more time for interrupt latency processing requirements.

#### Work around 2:

If avoiding RX FIFO overruns is not possible, implement an ACK/NAK software handshake protocol to repeat lost packet transfers after restoring the UART synchronization.

### Affected Silicon Revisions

A1	A3	B2					
X	X	X					

## 9. Module: USB Reference: DSCAPP-4425

The USB module will not function if the device enters Sleep mode and the USB PHY is turned off by setting the USBSEN bit in the CFGCON register to '1'.

### Work around

Keep the USB PHY operational in Sleep mode by setting the USBSEN bit to '0'.

### Affected Silicon Revisions

A1	A3	B2					
X	X	X					

## 10. Module: Power-Saving Modes Reference: DSCAPP-4849

The device may not exit Sleep mode when Flash is powered down through the FSLEEP bit in the DEVCFG0/ADEVCFG0 Configuration register.

### Work around

Enable Flash in Sleep mode by clearing the Flash Sleep Mode Configuration bit, FSLEEP, in the DEVCFG0/ADEVCFG0 Configuration register.

### Affected Silicon Revisions

A1	A3	B2					
X	X						

## 11. Module: ADC Reference: DSCAPP-5018

When using multiple digital filters, the filters may not capture data correctly when the assigned data sources are ready at the same time.

### Work around

Only one digital filter may be used at a time.

### Affected Silicon Revisions

A1	A3	B2					
X	X						

## 12. Module: ADC Reference: DSCAPP-5021

The ADC level trigger will not perform burst conversions in Debug mode.

### Work around

Do not use Debug mode with the ADC level trigger.

### Affected Silicon Revisions

A1	A3	B2					
X	X						

## 13. Module: ADC Reference: DSCAPP-5124

In Differential mode, code 3072 has a DNL of +3.

### Work around

None.

### Affected Silicon Revisions

A1	A3	B2					
X	X	X					

# PIC32MZ EF FAMILY

## 14. Module: ADC Reference: DSCAPP-5121

When the operating voltage (VDD/AVDD) is below 2.5V (i.e., charge pumps are ON), only one ADC core can be used.

### Work around

None.

### Affected Silicon Revisions

A1	A3	B2						
X	X	X						

## 15. Module: ADC Reference: DSCAPP-5176

Turbo mode is not functional when two channels are linked for the purpose of increasing throughput.

### Work around

None.

### Affected Silicon Revisions

A1	A3	B2						
X	X	X						

## 16. Module: USB Reference: DSCAPP-5189

The USB module does not support remote wakeup through the USBRIE bit (USBCRCON<1>).

### Work around

None.

USB descriptors must inform the host that the device does not support remote wake-up.

### Affected Silicon Revisions

A1	A3	B2						
X	X	X						

## 17. Module: Oscillator Reference: DSCAPP-5143

The Primary Oscillator in EC mode only functions up to 24 MHz

### Work around

None.

### Affected Silicon Revisions

A1	A3	B2						
X								

## 18. Module: Temperature Sensor Reference: DSCAPP-5052

The temperature sensor does not function.

### Work around

None.

### Affected Silicon Revisions

A1	A3	B2						
X	X	X						

## 19. Module: ICSP Reference: DSCAPP-5186

Regardless of other functions shared on the TDO pin, the TDO function becomes an active output and toggles while programming on any ICSP PGECx/PGEDx pair.

### Work around

None.

### Affected Silicon Revisions

A1	A3	B2						
X	X	x						

## 20. Module: DMA Reference: DSCAPP-5144

Setting the PMD bit for DMA (PMD7<4>) does not disable clocks or the DMA peripheral.

### Work around

None.

A1	A3	B2						
X	X	X						

## 21. Module: PMP Reference: DSCAPP-5068

The PMP input buffer full flag, IB0F, and the output buffer underflow, OBUF, are set as soon as the PMP is turned on in Slave mode (when TTLEN = 1).

### Work around

After PMP initial initialization is complete, and before the PMP and interrupts are enabled, clear the TTLEN bits in user software.

### Affected Silicon Revisions

A1	A3	B2						
X	X	X						

# PIC32MZ EF FAMILY

## 22. Module: Sleep Reference: CHIP002-2557

If the ON bit (PB5DIV<15>) = 0 and PBCLK5 is disabled, a 3mA increase in Sleep IPD current occurs.

### Work around

Do not disable PBCLK5 before entering Sleep mode.

### Affected Silicon Revisions

A1	A3	B2					
X	X	X					

## 23. Module: SQI Reference: M32DOC-438

When the SQI clock divider is used (by setting CLKDIV  $\neq$  0), any one of the following error conditions may occur on some of the devices, which are depending on the DDRMODE setting:

- With DDRMODE = 0, the SQI fails in reception only.
- With DDRMODE = 1, the SQI may fail in both reception and transmission.

### Work around

Set the CLKDIV bits to '0' and use the REFCLK02 as the SQI base clock.

### Affected Silicon Revisions

A1	A3	B2					
X	X	X					

## 24. Module: POR Reference: M32DOC-444

Whenever VDD is less than 1.75V, the I/O pin state and logic level may be indeterminate.

### Work around

None.

### Affected Silicon Revisions

A1	A3	B2					
X	X						

## 25. Module: Crypto Reference: M32DOC-446

Attempting to run part of a cryptographic packet through the peripheral may not result in a usable initial vector for continuing the cryptographic operation.

### Work around

Do not interrupt a cryptographic operation with another, instead, always process a hash completely.

### Affected Silicon Revisions

A1	A3	B2					
X	X	X					

## 26. Module: Crypto Reference: M32DOC-460

Using the crypto DMA on an empty hash string will cause the peripheral to time out and not return a valid hash.

### Work around

Use the fixed known hash of the empty string.

### Affected Silicon Revisions

A1	A3	B2					
X	X	X					

## 27. Module: SPI Reference: M32DOC-437

Just before the last block of a transmission is shifted out to the SPI pins, the SRMT bit may incorrectly indicate that the transmission is done. However, this does not affect the Transmit Buffer Empty Interrupt (STXISEL = 0).

### Work around

Use the interrupt notification rather than polling the SRMT bit to determine when a transmission has completed.

### Affected Silicon Revisions

A1	A3	B2					
X	X	X					

**28. Module: SQI** Reference: M32DOC-461

Read access to SQI SFRs stalls the CPU when REFCLKO2 is disabled.

**Work around**

None.

**Affected Silicon Revisions**

A1	A3	B2					
X	X	X					

**29. Module: Sleep** Reference: M32DOC-462

Multiple sleep attempts (WAIT instruction with OSCCON<4>=1) which occur within 20 μs of a wake event, before the CPU has fully awakened, can cause the CPU to stall until a Power-on Reset (POR) event.

**Work around**

Ensure that at least 20 μs elapse before attempting to put the CPU to sleep (WAIT instruction with OSCCON<4>=1) after it awakens from a previous sleep.

**Affected Silicon Revisions**

A1	A3	B2					
X	X	X					

**30. Module: Security** Reference: M32DOC-723

The note at the end of the CFGPG register (Register no. 34-10) indicates that the CPU as a system bus initiator is controlled within the CPU core is incorrect. The CPU core internal state will not control the CPU system bus initiator permission group.

**Work around**

Use the CFGPG register reserved bits <1:0> to control the permission group ID of the CPU as a system bus initiator.

- 11 = Initiator is assigned to permission group 3
- 10 = Initiator is assigned to permission group 2
- 01 = Initiator is assigned to permission group 1
- 00 = Initiator is assigned to permission group 0

Also, the reserved bits <:14:12> of the DEVCFG0 and ADEVCFG0 registers can be used to control the permission group ID of the CPU in Debug mode, as in:

- 1xx = Allow CPU access to permission group 2 permission regions
- x1x = Allow CPU access to permission group 1 permission regions
- xx1 = Allow CPU access to permission group 0 permission regions

- 0xx = Deny CPU access to permission group 2 permission regions
- x0x = Deny CPU access to permission group 1 permission regions
- xx0 = Deny CPU access to permission group 0 permission regions

When the CPU is in Debug mode and CFGPG<1:0> are set to a denied permission group as defined by the DEVCFG0<14:12>, the transaction request is assigned Group 3 permissions.

**Affected Silicon Revisions**

A1	A3	B2					
X	X						

**31. Module: UART** Reference: M32DOC-744

The UART TX Stop bit duration is shorter than the expected in High-Speed mode (BRGH (UxMODE<3>) = 1) for baud rates less than 7.5 Mbps.

**Work around**

For baud rates less than 7.5 Mbps, operate the UART in Standard-Speed mode, that is, BRGH (UxMODE<3>) = 0. For baud rates greater than 7.5 Mbps operate the UART in High-Speed mode, that is, BRGH (UxMODE<3>) = 1.

**Affected Silicon Revisions**

A1	A3	B2					
X	X	X					

# PIC32MZ EF FAMILY

## 32. Module: Reset Reference:M32DOC-1064

The NMICNT bit field in the RNMICON register is 8 bits instead of 16 bits. It has limited to values 0 through 255.

### Work around

The user must update the NMICNT register immediately upon entry into NMI ISR in their code with an 8-bit value not to exceed 0xFF. If the user needs to extend the NMI reset event >257 clock counts, the NMICNT register can be updated many times as required inside the NMI to ensure users NMI routine can complete before the pending reset.

### Affected Silicon Revisions

A1	A3	B2					
X	X						

## 33. Module: I2C3 Reference: I2C007-159

I2C3 on the A3 revision is non functional.

### Work around

Silicon revision A3 I2C3 must use a software "bit-bang" implementation.

### Affected Silicon Revisions

A1	A3	B2					
	X						

## 34. Module: Host Disconnect Detection

Reference: USB009-43

The USB Host module does not wake up CPU from sleep when a USB device is disconnected.

### Work around

None.

### Affected Silicon Revisions

A1	A3	B2					
X	X	X					

## 35. Module: LPM Reference: USB007-34

The USB Link Power Management (LPM) feature is not functional.

### Work around

None.

### Affected Silicon Revisions

A1	A3	B2					
X	X	X					

## 36. Module: Host Resume Reference: USB008-34

The USB Host module will send a correct resume signal on the first suspend or sleep sequence, but not on subsequent suspend or sleep sequences.

### Work around

None.

### Affected Silicon Revisions

A1	A3	B2					
X	X	X					

## 37. Module: I<sup>2</sup>C Reference: I2C007-297

The I<sup>2</sup>C master module does not meet low period of the SCL clock (tLOW) parameter from I<sup>2</sup>C specification for clock frequency >= 400 kHz.

### Work around

None.

### Affected Silicon Revisions

A1	A3	B2					
X	X	X					

**38. Module: System Bus Reference:**  
M32DOC-1926

Device operation does not conform to published PROGRAM FLASH MEMORY WAIT STATES specification of the following:

Required Flash Wait States	SYSCLK	Units
<b>With ECC:</b> 2 Wait states	$120 < \text{SYSCLK} \leq 200$	MHz
<b>Without ECC:</b> 2 Wait states	$140 < \text{SYSCLK} \leq 200$	MHz

This may result in undetermined device operation.

**Work around**

Configure the device to the following specification:

Required Flash Wait States	SYSCLK	Units
<b>With ECC:</b> 2 Wait states 3 Wait states	$120 < \text{SYSCLK} \leq 184$ $184 < \text{SYSCLK} \leq 200$	MHz
<b>Without ECC:</b> 2 Wait states 3 Wait states	$140 < \text{SYSCLK} \leq 184$ $184 < \text{SYSCLK} \leq 200$	MHz

Increasing Flash wait states in the user application from 2 to 3 will impact the CPU performance by <2% if the cache is enabled.

**Affected Silicon Revisions**

A1	A3	B2					
		X					

# PIC32MZ EF FAMILY

## Data Sheet Clarifications

The following typographic corrections and clarifications are to be noted for the latest version of the device data sheet (DS60001320G):

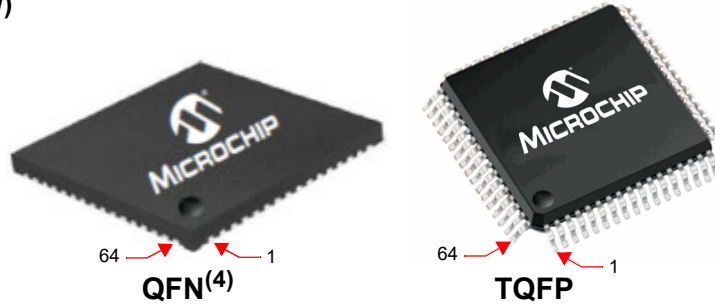
**Note:** Corrections in tables are shown in **bold**. Where possible, the original bold text formatting has been removed for clarity.

## 1. Module: Ethernet

In Table 2. “Pin Names for 64-pin QFN and TQFP Devices” of the current data sheet, the AECRS<sub>DV</sub> signal was erroneously omitted from the pin number 44 and added to the pin number 62. The correct assignment is shown in bold type in the following table.

### 64-PIN QFN<sup>(4)</sup> AND TQFP (TOP VIEW)

PIC32MZ0512EF(E/F/K)064  
 PIC32MZ1024EF(G/H/M)064  
 PIC32MZ1024EF(E/F/K)064  
 PIC32MZ2048EF(G/H/M)064



Pin #	Full Pin Name	Pin #	Full Pin Name
1	AN17/ETXEN/RPE5/PMD5/RE5	33	V <sub>BUS</sub>
2	AN16/ETXD0/PMD6/RE6	34	V <sub>USB3V3</sub>
3	AN15/ETXD1/PMD7/RE7	35	V <sub>SS</sub>
4	AN14/C1IND/RPG6/SCK2/PMA5/RG6	36	D-
5	AN13/C1INC/RPG7/SDA4/PMA4/RG7	37	D+
6	AN12/C2IND/RPG8/SCL4/PMA3/RG8	38	RPF3/USBID/RF3
7	V <sub>SS</sub>	39	V <sub>DD</sub>
8	V <sub>DD</sub>	40	V <sub>SS</sub>
9	MCLR	41	RPF4/SDA5/PMA9/RF4
10	AN11/C2INC/RPG9/PMA2/RG9	42	RPF5/SCL5/PMA8/RF5
11	AN45/C1INA/RPB5/RB5	43	AERXD0/ETXD2/RPD9/SDA1/PMCS2/PMA15/RD9
12	AN4/C1INB/RB4	44	<b>AECRS<sub>DV</sub>/ECOL/RPD10/SCL1/SCK4/RD10</b>
13	AN3/C2INA/RPB3/RB3	45	AERXCLK/AEREFCLK/ECRS/RPD11/PMCS1/PMA14/RD11
14	AN2/C2INB/RPB2/RB2	46	AERXD1/ETXD3/RPD0/RTCC/INT0/RD0
15	PGEC1/VREF-/CVREF-/AN1/RPB1/RB1	47	SOSCI/RPC13/RC13
16	PGED1/VREF+/CVREF+/AN0/RPB0/PMA6/RB0	48	SOSCO/RPC14/T1CK/RC14
17	PGEC2/AN46/RPB6/RB6	49	EMDIO/AEMDIO/RPD1/SCK1/RD1
18	PGED2/AN47/RPB7/RB7	50	ETXERR/AETXEN/RPD2/SDA3/RD2
19	AV <sub>DD</sub>	51	AERXERR/ETXCLK/RPD3/SCL3/RD3
20	AV <sub>SS</sub>	52	SQICS <sub>0</sub> /RPD4/PMWR/RD4
21	AN48/RPB8/PMA10/RB8	53	SQICS <sub>1</sub> /RPD5/PMRD/RD5
22	AN49/RPB9/PMA7/RB9	54	V <sub>DD</sub>
23	TMS/CVREFOUT/AN5/RPB10/PMA13/RB10	55	V <sub>SS</sub>
24	TDO/AN6/PMA12/RB11	56	ERXD3/AETXD1/RPF0/RF0
25	V <sub>SS</sub>	57	TRCLK/SQICLK/ERXD2/AETXD0/RPF1/RF1
26	V <sub>DD</sub>	58	TRD0/SQID0/ERXD1/PMD0/RE0
27	TCK/AN7/PMA11/RB12	59	V <sub>SS</sub>
28	TDI/AN8/RB13	60	V <sub>DD</sub>

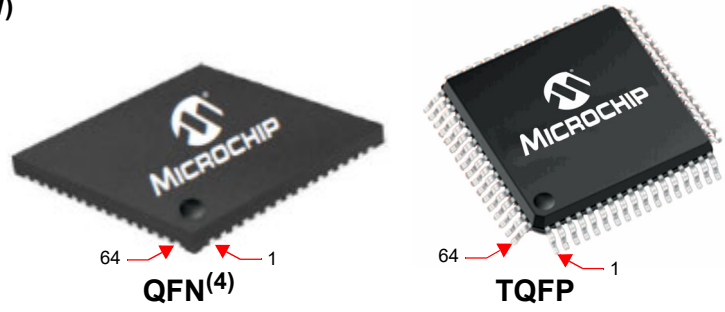
- Note**
- 1: The R<sub>P</sub>n pins can be used by remappable peripherals. See Table 1 for the available peripherals and Section 12.4 “Peripheral Pin Select (PPS)” for restrictions.
  - 2: Every I/O port pin (RB<sub>x</sub>-RG<sub>x</sub>) can be used as a change notification pin (CNB<sub>x</sub>-CNG<sub>x</sub>). See Section 12.0 “I/O Ports” for more information.
  - 3: Shaded pins are 5V tolerant.
  - 4: The metal plane at the bottom of the device is not connected to any pins and is recommended to be connected to V<sub>SS</sub> externally.



# PIC32MZ EF FAMILY

## 64-PIN QFN<sup>(4)</sup> AND TQFP (TOP VIEW)

PIC32MZ0512EF(E/F/K)064  
 PIC32MZ1024EF(G/H/M)064  
 PIC32MZ1024EF(E/F/K)064  
 PIC32MZ2048EF(G/H/M)064



Pin #	Full Pin Name	Pin #	Full Pin Name
29	AN9/RPB14/SCK3/PMA1/RB14	61	TRD1/SQID1/ERXD0/PMD1/RE1
30	AN10/EMDC/AEMDC/RPB15/OCFB/PMA0/RB15	62	TRD2/SQID2/ERXDV/ECRSDV/PMD2/RE2
31	OSC1/CLKI/RC12	63	TRD3/SQID3/ERXCLK/EREFCLK/RPE3/PMD3/RE3
32	OSC2/CLKO/RC15	64	AN18/ERXERR/PMD4/RE4

- Note**
- 1: The RPN pins can be used by remappable peripherals. See [Table 1](#) for the available peripherals and [Section 12.4 “Peripheral Pin Select \(PPS\)”](#) for restrictions.
  - 2: Every I/O port pin (RBx-RGx) can be used as a change notification pin (CNBx-CNGx). See [Section 12.0 “I/O Ports”](#) for more information.
  - 3: Shaded pins are 5V tolerant.
  - 4: The metal plane at the bottom of the device is not connected to any pins and is recommended to be connected to Vss externally.

# PIC32MZ EF FAMILY

## 2. Module: Ethernet

In 64-pin QFN/TQFP column of Table 1-19. "Alternate Ethernet RMI Pinout I/O Descriptions" of the current data sheet, the AECRS DV signal was erroneously assigned to the pin number 62 instead of the pin number 44. The correct assignment is shown in bold type in the following table.

Pin Name	Pin Number						Pin Type	Buffer Type	Description
	64-pin QFN/TQFP	100-pin TQFP	100-pin TFBGA	124-pin VTLA	144-pin TQFP/LQFP	144-pin TFBGA			
AERXD0	43	18	A3	—	—	—	I	ST	Alternate Ethernet Receive Data 0
AERXD1	46	19	A4	—	—	—	I	ST	Alternate Ethernet Receive Data 1
AERXERR	51	1	A9	—	—	—	I	ST	Alternate Ethernet Receive Error Input
AETXD0	57	47	J2	—	—	—	O	—	Alternate Ethernet Transmit Data 0
AETXD1	56	48	J1	—	—	—	O	—	Alternate Ethernet Transmit Data 1
AEMDC	30	70	K8	—	—	—	O	—	Alternate Ethernet Management Data Clock
AEMDIO	49	71	J8	—	—	—	I/O	—	Alternate Ethernet Management Data
AETXEN	50	67	J6	—	—	—	O	—	Alternate Ethernet Transmit Enable
AEREFCLK	45	16	D4	—	—	—	I	ST	Alternate Ethernet Reference Clock
AECRS DV	<b>44</b>	12	C5	—	—	—	I	ST	Alternate Ethernet Carrier Sense Data Valid

**Legend:** CMOS = CMOS-compatible input or output  
 ST = Schmitt Trigger input with CMOS levels  
 TTL = Transistor-transistor Logic input buffer  
 Analog = Analog input  
 O = Output  
 PPS = Peripheral Pin Select  
 P = Power  
 I = Input

## APPENDIX A: REVISION HISTORY

### Rev A Document (7/2015)

Initial release of this document issued for revision A1 silicon, which includes silicon issues 1. Module: (Oscillator Reference: DSCAPP-4769), 2. Module: (Oscillator Reference: DSCAPP-4905), 3. Module: (Secondary Oscillator Reference: DSCAPP-4931), 4. Module: (Secondary Oscillator Reference: DSCAPP-4923), 5. Module: (Power-Saving Reference: DSCAPP-4842), 6. Module: (I<sup>2</sup>C Reference: DSCAPP-4878), 7. Module: (UART Reference: DSCAPP-4702), 8. Module: (UART Reference: DSCAPP-4666), 9. Module: (USB Reference: DSCAPP-4425), and Power-Saving Modes Reference: DSCAPP-4849.

### Rev B Document (4/2016)

Added silicon issues 11. Module: (ADC Reference: DSCAPP-5018) and 12. Module: (ADC Reference: DSCAPP-5021).

Updated silicon issues 2. Module: (Oscillator Reference: DSCAPP-4905) and 10. Module: (Power-Saving Modes Reference: DSCAPP-4849).

### Rev C Document (7/2016)

Updated to include silicon revision A3.

Updated silicon issues 2. Module: (Oscillator Reference: DSCAPP-4905), 6. Module: (I<sup>2</sup>C Reference: DSCAPP-4878), and 11. Module: (ADC Reference: DSCAPP-5018).

Added silicon issues 13. Module: (ADC Reference: DSCAPP-5124), 14. Module: (ADC Reference: DSCAPP-5121), 15. Module: (ADC Reference: DSCAPP-5176), and 16. Module: (USB Reference: DSCAPP-5189).

Added data sheet clarifications 1. Module: (Resets) and 2. Module: (Interrupt Controller).

### Rev D Document (9/2016)

Updated Figure 1 and Table 3 in silicon issue 2. Module: (Oscillator Reference: DSCAPP-4905).

Added silicon issues 17. Module: (Oscillator Reference: DSCAPP-5143) and 18. Module: (Temperature Sensor Reference: DSCAPP-5052).

Added data sheet clarification 3. Module: (External Clock Timing Requirements).

### Rev E Document (3/2018)

Internal release, minor content edits gone into this release.

### Rev F Document (4/2018)

Added silicon issues: 19. Module: (ICSP Reference: DSCAPP-5186), 20. Module: (DMA Reference: DSCAPP-5144), 21. Module: (PMP Reference: DSCAPP-5068), 22. Module: (Sleep Reference: CHIP002-2557), 23. Module: (SQI Reference: M32DOC-438), 24. Module: (POR Reference:

M32DOC-444), 25. Module: (Crypto Reference: M32DOC-446), 26. Module: (Crypto Reference: M32DOC-460), 27. Module: (SPI Reference: M32DOC-437), 28. Module: (SQI Reference: M32DOC-461), and 29. Module: (Sleep Reference: M32DOC-462).

All data sheet clarifications were removed.

### Rev G Document (6/2018)

Updated to include silicon revision B2.

Added silicon issue 30. Module: Security Reference: M32DOC-723.

### Rev H Document (9/2018)

Added Silicon issues: 31. Module: UART Reference: M32DOC-744.

### Rev J Document (2/2019)

Added Silicon Issue 32. Module: Reset Reference: M32DOC-1064.

Added Data Sheet Clarifications: 1. Module: Ethernet, Appendix A: Revision History, and 33. Module: I2C3 Reference: I2C007-159.

Updated Silicon Issue 2. Module: Oscillator Reference: DSCAPP-4905.

### Rev K Document (01/2020)

Added Silicon Issues 34. Module: Host Disconnect Detection Reference: USB009-43, 35. Module: LPM Reference: USB007-34, 36. Module: Host Resume Reference: USB008-34, and 37. Module: I2C Reference: I2C007-297

Updated Silicon issue 28. Module: SQI Reference: M32DOC-461.

All data sheet clarifications were removed.

### Rev. L Document (06/2020)

Added silicon Issue 38. Module: System Bus Reference: M32DOC-1926.

Updated silicon issue 24. Module: POR Reference: M32DOC-444.

### Rev. M Document (09/2020)

Added Data Sheet Clarifications 1. Module: Ethernet, and 2. Module: Ethernet.

Updated TABLE 2: Silicon Issue Summary for issue 1 to include revision B2 silicon

# PIC32MZ EF FAMILY

---

NOTES:

---

---

**Note the following details of the code protection feature on Microchip devices:**

- Microchip products meet the specifications contained in their particular Microchip Data Sheet.
- Microchip believes that its family of products is secure when used in the intended manner and under normal conditions.
- There are dishonest and possibly illegal methods being used in attempts to breach the code protection features of the Microchip devices. We believe that these methods require using the Microchip products in a manner outside the operating specifications contained in Microchip's Data Sheets. Attempts to breach these code protection features, most likely, cannot be accomplished without violating Microchip's intellectual property rights.
- Microchip is willing to work with any customer who is concerned about the integrity of its code.
- Neither Microchip nor any other semiconductor manufacturer can guarantee the security of its code. Code protection does not mean that we are guaranteeing the product is "unbreakable." Code protection is constantly evolving. We at Microchip are committed to continuously improving the code protection features of our products. Attempts to break Microchip's code protection feature may be a violation of the Digital Millennium Copyright Act. If such acts allow unauthorized access to your software or other copyrighted work, you may have a right to sue for relief under that Act.

---

Information contained in this publication is provided for the sole purpose of designing with and using Microchip products. Information regarding device applications and the like is provided only for your convenience and may be superseded by updates. It is your responsibility to ensure that your application meets with your specifications.

THIS INFORMATION IS PROVIDED BY MICROCHIP "AS IS". MICROCHIP MAKES NO REPRESENTATIONS OR WARRANTIES OF ANY KIND WHETHER EXPRESS OR IMPLIED, WRITTEN OR ORAL, STATUTORY OR OTHERWISE, RELATED TO THE INFORMATION INCLUDING BUT NOT LIMITED TO ANY IMPLIED WARRANTIES OF NON-INFRINGEMENT, MERCHANTABILITY, AND FITNESS FOR A PARTICULAR PURPOSE OR WARRANTIES RELATED TO ITS CONDITION, QUALITY, OR PERFORMANCE.

IN NO EVENT WILL MICROCHIP BE LIABLE FOR ANY INDIRECT, SPECIAL, PUNITIVE, INCIDENTAL OR CONSEQUENTIAL LOSS, DAMAGE, COST OR EXPENSE OF ANY KIND WHATSOEVER RELATED TO THE INFORMATION OR ITS USE, HOWEVER CAUSED, EVEN IF MICROCHIP HAS BEEN ADVISED OF THE POSSIBILITY OR THE DAMAGES ARE FORESEEABLE. TO THE FULLEST EXTENT ALLOWED BY LAW, MICROCHIP'S TOTAL LIABILITY ON ALL CLAIMS IN ANY WAY RELATED TO THE INFORMATION OR ITS USE WILL NOT EXCEED THE AMOUNT OF FEES, IF ANY, THAT YOU HAVE PAID DIRECTLY TO MICROCHIP FOR THE INFORMATION. Use of Microchip devices in life support and/or safety applications is entirely at the buyer's risk, and the buyer agrees to defend, indemnify and hold harmless Microchip from any and all damages, claims, suits, or expenses resulting from such use. No licenses are conveyed, implicitly or otherwise, under any Microchip intellectual property rights unless otherwise stated.

For information regarding Microchip's Quality Management Systems, please visit [www.microchip.com/quality](http://www.microchip.com/quality).

### Trademarks

The Microchip name and logo, the Microchip logo, Adaptec, AnyRate, AVR, AVR logo, AVR Freaks, BesTime, BitCloud, chipKIT, chipKIT logo, CryptoMemory, CryptoRF, dsPIC, FlashFlex, flexPWR, HELDO, IGLOO, JukeBlox, KeeLoq, Kleer, LANCheck, LinkMD, maXStylus, maXTouch, MediaLB, megaAVR, Microsemi, Microsemi logo, MOST, MOST logo, MPLAB, OptoLyzer, PackeTime, PIC, picoPower, PICSTART, PIC32 logo, PolarFire, Prochip Designer, QTouch, SAM-BA, SenGenuity, SpyNIC, SST, SST Logo, SuperFlash, Symmetricom, SyncServer, Tachyon, TempTracker, TimeSource, tinyAVR, UNI/O, Vectron, and XMEGA are registered trademarks of Microchip Technology Incorporated in the U.S.A. and other countries.

APT, ClockWorks, The Embedded Control Solutions Company, EtherSynch, FlashTec, Hyper Speed Control, HyperLight Load, IntelliMOS, Libero, motorBench, mTouch, Powermite 3, Precision Edge, ProASIC, ProASIC Plus, ProASIC Plus logo, Quiet-Wire, SmartFusion, SyncWorld, Temux, TimeCesium, TimeHub, TimePictra, TimeProvider, Vite, WinPath, and ZL are registered trademarks of Microchip Technology Incorporated in the U.S.A.

Adjacent Key Suppression, AKS, Analog-for-the-Digital Age, Any Capacitor, AnyIn, AnyOut, BlueSky, BodyCom, CodeGuard, CryptoAuthentication, CryptoAutomotive, CryptoCompanion, CryptoController, dsPICDEM, dsPICDEM.net, Dynamic Average Matching, DAM, ECAN, EtherGREEN, In-Circuit Serial Programming, ICSP, INICnet, Inter-Chip Connectivity, JitterBlocker, KleerNet, KleerNet logo, memBrain, Minda, MiWi, MPASM, MPF, MPLAB Certified logo, MPLIB, MPLINK, MultiTRAK, NetDetach, Omniscient Code Generation, PICDEM, PICDEM.net, PICKit, PICtail, PowerSmart, PureSilicon, QMatrix, REAL ICE, Ripple Blocker, SAM-ICE, Serial Quad I/O, SMART-I.S., SQR, SuperSwitcher, SuperSwitcher II, Total Endurance, TSHARC, USBCheck, VariSense, ViewSpan, WiperLock, Wireless DNA, and ZENA are trademarks of Microchip Technology Incorporated in the U.S.A. and other countries.

SQTP is a service mark of Microchip Technology Incorporated in the U.S.A.

The Adaptec logo, Frequency on Demand, Silicon Storage Technology, and Symmcom are registered trademarks of Microchip Technology Inc. in other countries.

GestIC is a registered trademark of Microchip Technology Germany II GmbH & Co. KG, a subsidiary of Microchip Technology Inc., in other countries.

All other trademarks mentioned herein are property of their respective companies.

© 2015-2020, Microchip Technology Incorporated, All Rights Reserved.

ISBN: 978-1-5224-6836-3



# MICROCHIP

## Worldwide Sales and Service

### AMERICAS

**Corporate Office**  
2355 West Chandler Blvd.  
Chandler, AZ 85224-6199  
Tel: 480-792-7200  
Fax: 480-792-7277  
Technical Support:  
<http://www.microchip.com/support>  
Web Address:  
[www.microchip.com](http://www.microchip.com)

#### Atlanta

Duluth, GA  
Tel: 678-957-9614  
Fax: 678-957-1455

#### Austin, TX

Tel: 512-257-3370

#### Boston

Westborough, MA  
Tel: 774-760-0087  
Fax: 774-760-0088

#### Chicago

Itasca, IL  
Tel: 630-285-0071  
Fax: 630-285-0075

#### Dallas

Addison, TX  
Tel: 972-818-7423  
Fax: 972-818-2924

#### Detroit

Novi, MI  
Tel: 248-848-4000

#### Houston, TX

Tel: 281-894-5983

#### Indianapolis

Noblesville, IN  
Tel: 317-773-8323  
Fax: 317-773-5453  
Tel: 317-536-2380

#### Los Angeles

Mission Viejo, CA  
Tel: 949-462-9523  
Fax: 949-462-9608  
Tel: 951-273-7800

#### Raleigh, NC

Tel: 919-844-7510

#### New York, NY

Tel: 631-435-6000

#### San Jose, CA

Tel: 408-735-9110  
Tel: 408-436-4270

#### Canada - Toronto

Tel: 905-695-1980  
Fax: 905-695-2078

### ASIA/PACIFIC

**Australia - Sydney**  
Tel: 61-2-9868-6733

**China - Beijing**  
Tel: 86-10-8569-7000

**China - Chengdu**  
Tel: 86-28-8665-5511

**China - Chongqing**  
Tel: 86-23-8980-9588

**China - Dongguan**  
Tel: 86-769-8702-9880

**China - Guangzhou**  
Tel: 86-20-8755-8029

**China - Hangzhou**  
Tel: 86-571-8792-8115

**China - Hong Kong SAR**  
Tel: 852-2943-5100

**China - Nanjing**  
Tel: 86-25-8473-2460

**China - Qingdao**  
Tel: 86-532-8502-7355

**China - Shanghai**  
Tel: 86-21-3326-8000

**China - Shenyang**  
Tel: 86-24-2334-2829

**China - Shenzhen**  
Tel: 86-755-8864-2200

**China - Suzhou**  
Tel: 86-186-6233-1526

**China - Wuhan**  
Tel: 86-27-5980-5300

**China - Xian**  
Tel: 86-29-8833-7252

**China - Xiamen**  
Tel: 86-592-2388138

**China - Zhuhai**  
Tel: 86-756-3210040

### ASIA/PACIFIC

**India - Bangalore**  
Tel: 91-80-3090-4444

**India - New Delhi**  
Tel: 91-11-4160-8631

**India - Pune**  
Tel: 91-20-4121-0141

**Japan - Osaka**  
Tel: 81-6-6152-7160

**Japan - Tokyo**  
Tel: 81-3-6880-3770

**Korea - Daegu**  
Tel: 82-53-744-4301

**Korea - Seoul**  
Tel: 82-2-554-7200

**Malaysia - Kuala Lumpur**  
Tel: 60-3-7651-7906

**Malaysia - Penang**  
Tel: 60-4-227-8870

**Philippines - Manila**  
Tel: 63-2-634-9065

**Singapore**  
Tel: 65-6334-8870

**Taiwan - Hsin Chu**  
Tel: 886-3-577-8366

**Taiwan - Kaohsiung**  
Tel: 886-7-213-7830

**Taiwan - Taipei**  
Tel: 886-2-2508-8600

**Thailand - Bangkok**  
Tel: 66-2-694-1351

**Vietnam - Ho Chi Minh**  
Tel: 84-28-5448-2100

### EUROPE

**Austria - Wels**  
Tel: 43-7242-2244-39  
Fax: 43-7242-2244-393

**Denmark - Copenhagen**  
Tel: 45-4485-5910  
Fax: 45-4485-2829

**Finland - Espoo**  
Tel: 358-9-4520-820

**France - Paris**  
Tel: 33-1-69-53-63-20  
Fax: 33-1-69-30-90-79

**Germany - Garching**  
Tel: 49-8931-9700

**Germany - Haan**  
Tel: 49-2129-3766400

**Germany - Heilbronn**  
Tel: 49-7131-72400

**Germany - Karlsruhe**  
Tel: 49-721-625370

**Germany - Munich**  
Tel: 49-89-627-144-0  
Fax: 49-89-627-144-44

**Germany - Rosenheim**  
Tel: 49-8031-354-560

**Israel - Ra'anana**  
Tel: 972-9-744-7705

**Italy - Milan**  
Tel: 39-0331-742611  
Fax: 39-0331-466781

**Italy - Padova**  
Tel: 39-049-7625286

**Netherlands - Drunen**  
Tel: 31-416-690399  
Fax: 31-416-690340

**Norway - Trondheim**  
Tel: 47-7288-4388

**Poland - Warsaw**  
Tel: 48-22-3325737

**Romania - Bucharest**  
Tel: 40-21-407-87-50

**Spain - Madrid**  
Tel: 34-91-708-08-90  
Fax: 34-91-708-08-91

**Sweden - Gothenberg**  
Tel: 46-31-704-60-40

**Sweden - Stockholm**  
Tel: 46-8-5090-4654

**UK - Wokingham**  
Tel: 44-118-921-5800  
Fax: 44-118-921-5820