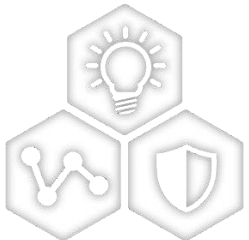


**CCB 7607**  
**Pre and Post Change Summary**  
**PCN #: MFOL-22LPPO809**



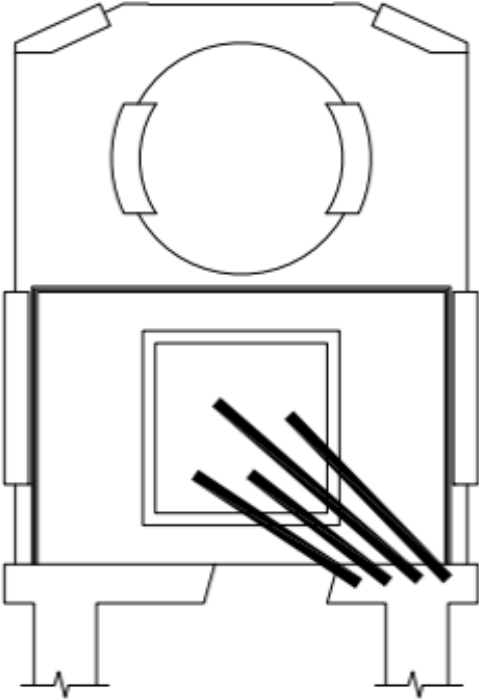
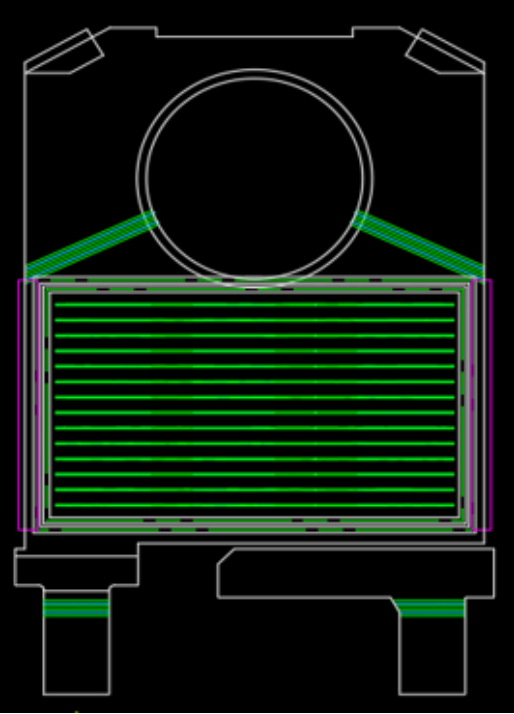
---

A Leading Provider of Smart, Connected and Secure Embedded Control Solutions



SMART | CONNECTED | SECURE

# Lead-Frame Comparison

FSTS		ASEW	
 <p>Note: Not-to-scale</p>		 <p><i>Mold locking grooves (Lead lock)</i></p> <p>Note: Not-to-scale</p>	
Lead-Frame Lead-lock	No	Lead-Frame Lead-lock	Yes