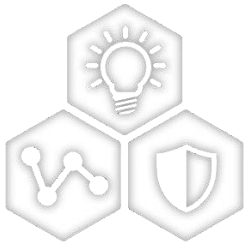


CCB 8000
Pre and Post Change Summary
PCN #: MFOL-22GSIN584

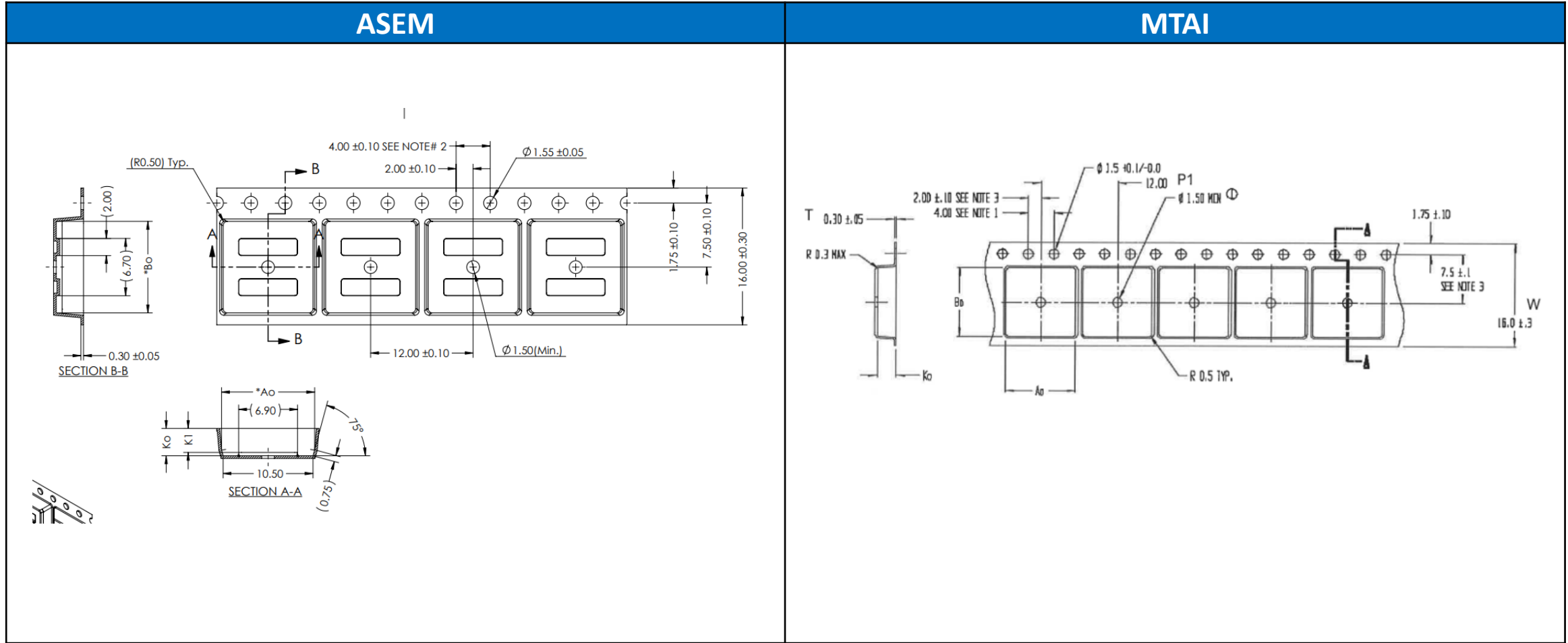


A Leading Provider of Smart, Connected and Secure Embedded Control Solutions



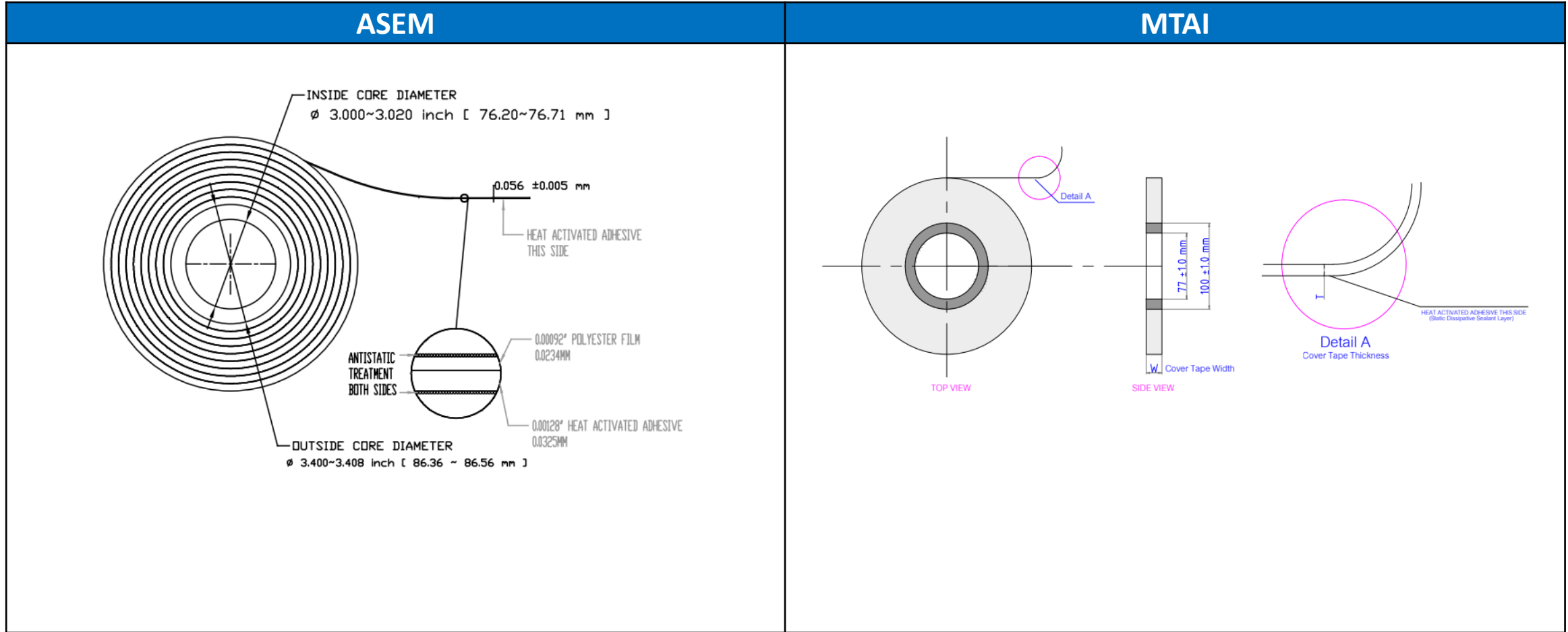
SMART | CONNECTED | SECURE

Pre and Post Change Summary – T/R (Carrier Tape)



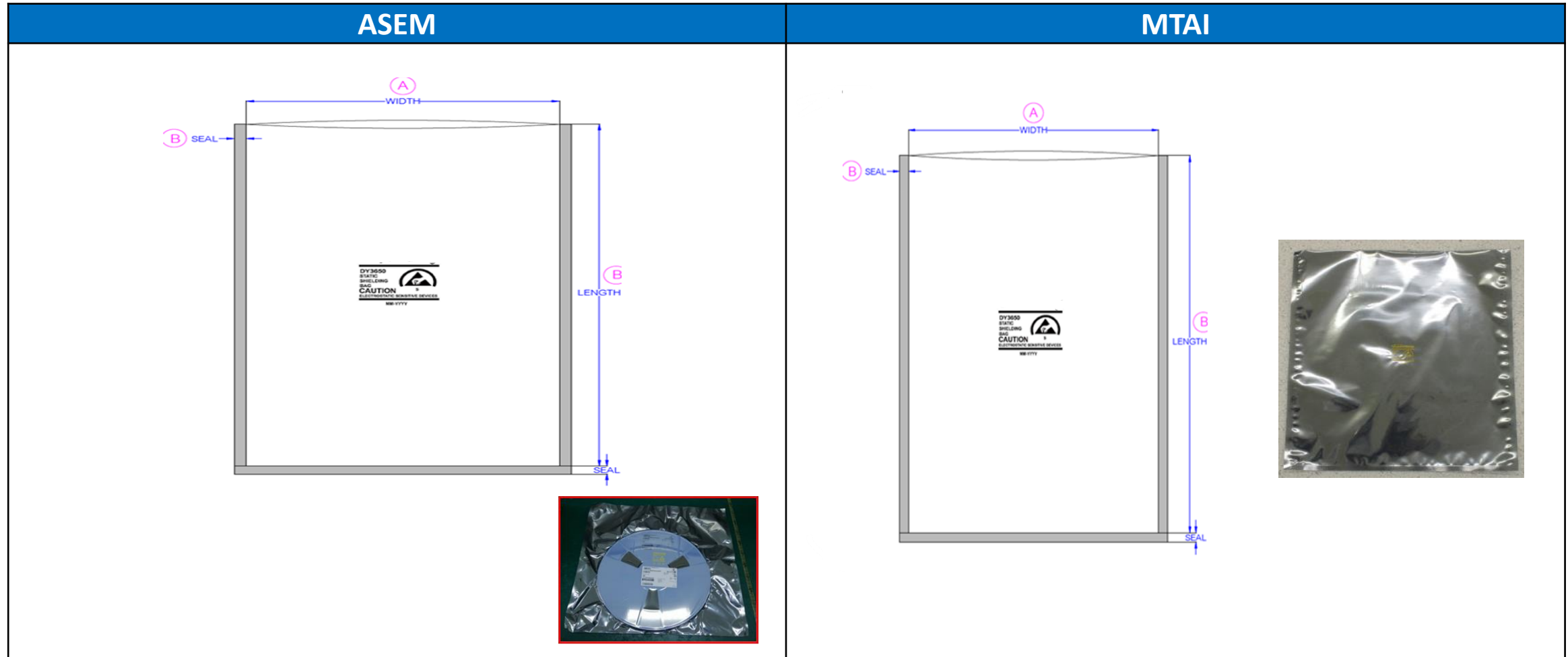
Plant	W (mm)	P (mm)	A0 (mm)	B0 (mm)	K0 (mm)	K1 (mm)	Thickness (mm)
ASEM	16.00 ± 0.30	12.00 ± 0.10	10.90 ± 0.10	10.70 ± 0.10	3.20 ± 0.10	2.80 ± 0.10	0.3 ± 0.05
MTAI	16.00 ± 0.3	12.00 ± 0.1	10.90 ± 0.1	10.70 ± 0.1	3.00 ± 0.1	-	0.30 ± 0.05

Pre and Post Change Summary – T/R (Cover Tape)



Plant	Width W (mm)	Thickness T (mm)	Color	Sealing Methodology
ASEM	13.3 ± 0.1	0.056 ± 0.005	Clear	Heat sealing
MTAI	13.3 ± 0.1	0.050 ± 0.010	Clear	Heat sealing

Pre and Post Change Summary – T/R (Static Shielding Bag)

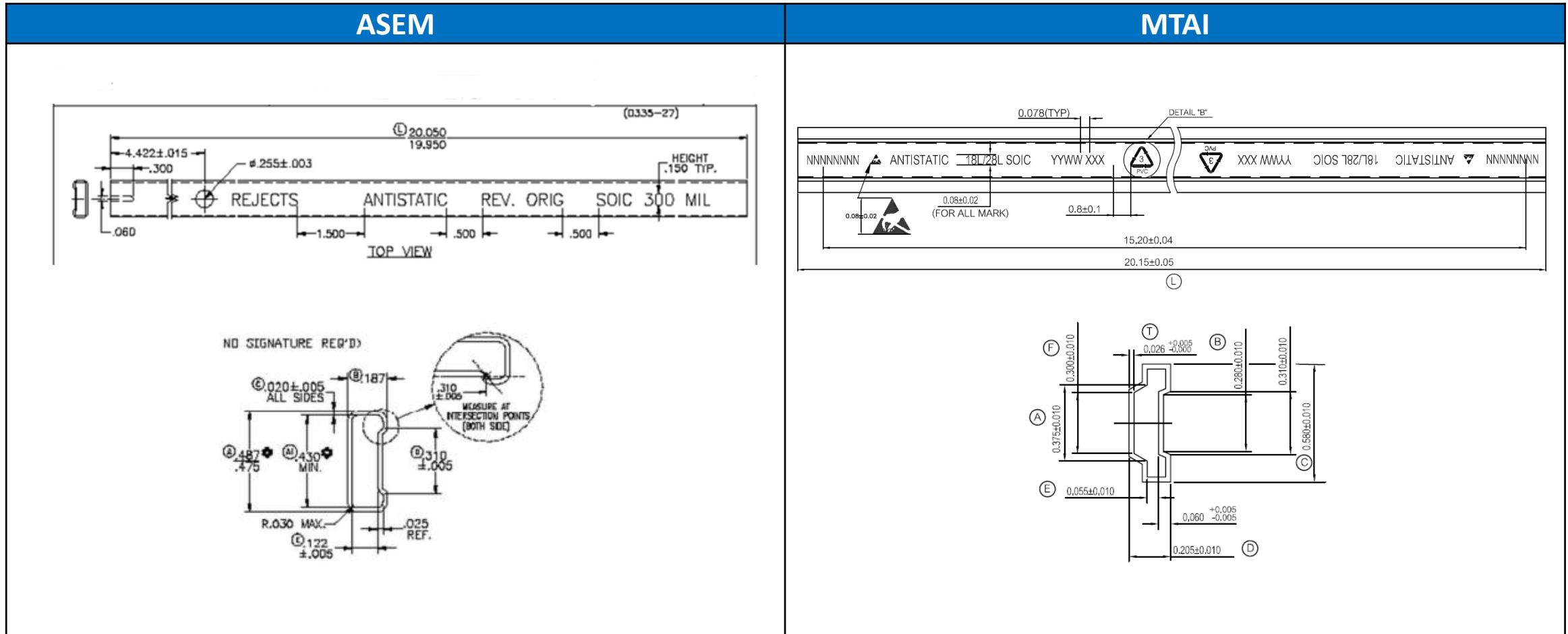


Plant	Bag type	Length (mm)	Width (mm)	Thickness (mm)
ASEM	Static Shielding Bag	457±5.00	457±5.00	0.0762
MTAI	Static Shielding Bag	420 +5/-0	370 +5/-0	0.0762

Pre and Post Change Summary – T/R (Packing Method)

ASEM	MTAI																	
<p>APPLICABLE FOR ALL TAPE AND REEL NON DRYPACK PACKAGES</p> <p>1. REEL LABEL TO BE PASTED OPPOSITE SPROCKET HOLE (ROUND HOPE) OF THE CARRIER TAPE. REEL LABEL PERLU DILEKATKAN BERLAWANAN LUBANG SPROCKET (LUBANG BULAT) PADA CARRIER TAPE.</p> <div style="border: 1px solid black; padding: 5px; margin-top: 10px; text-align: center;"> <p>Inner Box</p> <p>Dimension W x L x H (cm)</p> <p>37 x 35.1 x 5.3</p> </div>	<p style="text-align: center; color: #0056b3; font-weight: bold;">MSL-1 (No inner box)</p> <p>Carton for product in T/R media (MSL-1)</p> <table border="1" style="width: 100%; border-collapse: collapse; text-align: center;"> <thead> <tr style="background-color: #0056b3; color: white;"> <th rowspan="3">Carton</th> <th rowspan="3">Dimension W x L x H (cm)</th> <th>Max Number of reel per carton</th> </tr> <tr style="background-color: #0056b3; color: white;"> <th>Reel diameter (D) = 330mm</th> </tr> <tr style="background-color: #0056b3; color: white;"> <th>Carrier Tape Width 16mm</th> </tr> </thead> <tbody> <tr> <td>M01-011 (TT)</td> <td>36.5x38x39.5</td> <td>14</td> </tr> <tr> <td>M01-013 (B2)</td> <td>35.5x35.5x4</td> <td>1</td> </tr> <tr> <td>M01-014 (B3)</td> <td>35.5x35.5x6</td> <td>2</td> </tr> <tr> <td>M01-015 (B8)</td> <td>35.5x35.5x16.5</td> <td>6</td> </tr> </tbody> </table> <p style="margin-top: 10px;">Example: Packing for tape and reel in carton box B2/ B3.(Sample) Packing for tape and reel in carton box B8.(Sample) Packing for tape and reel in carton box TT</p>	Carton	Dimension W x L x H (cm)	Max Number of reel per carton	Reel diameter (D) = 330mm	Carrier Tape Width 16mm	M01-011 (TT)	36.5x38x39.5	14	M01-013 (B2)	35.5x35.5x4	1	M01-014 (B3)	35.5x35.5x6	2	M01-015 (B8)	35.5x35.5x16.5	6
Carton	Dimension W x L x H (cm)			Max Number of reel per carton														
				Reel diameter (D) = 330mm														
		Carrier Tape Width 16mm																
M01-011 (TT)	36.5x38x39.5	14																
M01-013 (B2)	35.5x35.5x4	1																
M01-014 (B3)	35.5x35.5x6	2																
M01-015 (B8)	35.5x35.5x16.5	6																

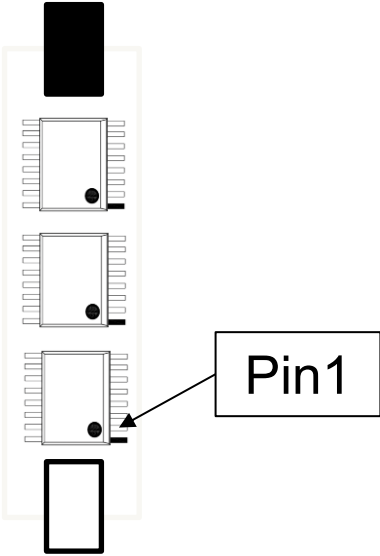
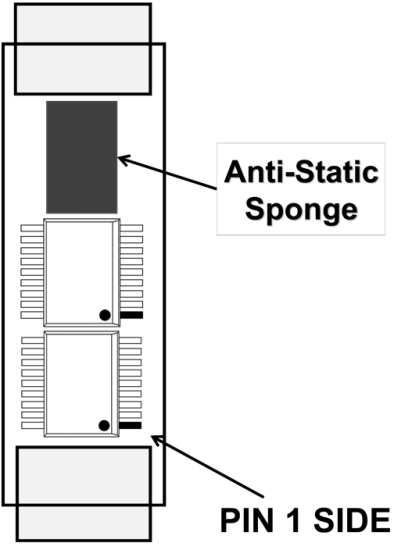
Pre and Post Change Summary – Tube



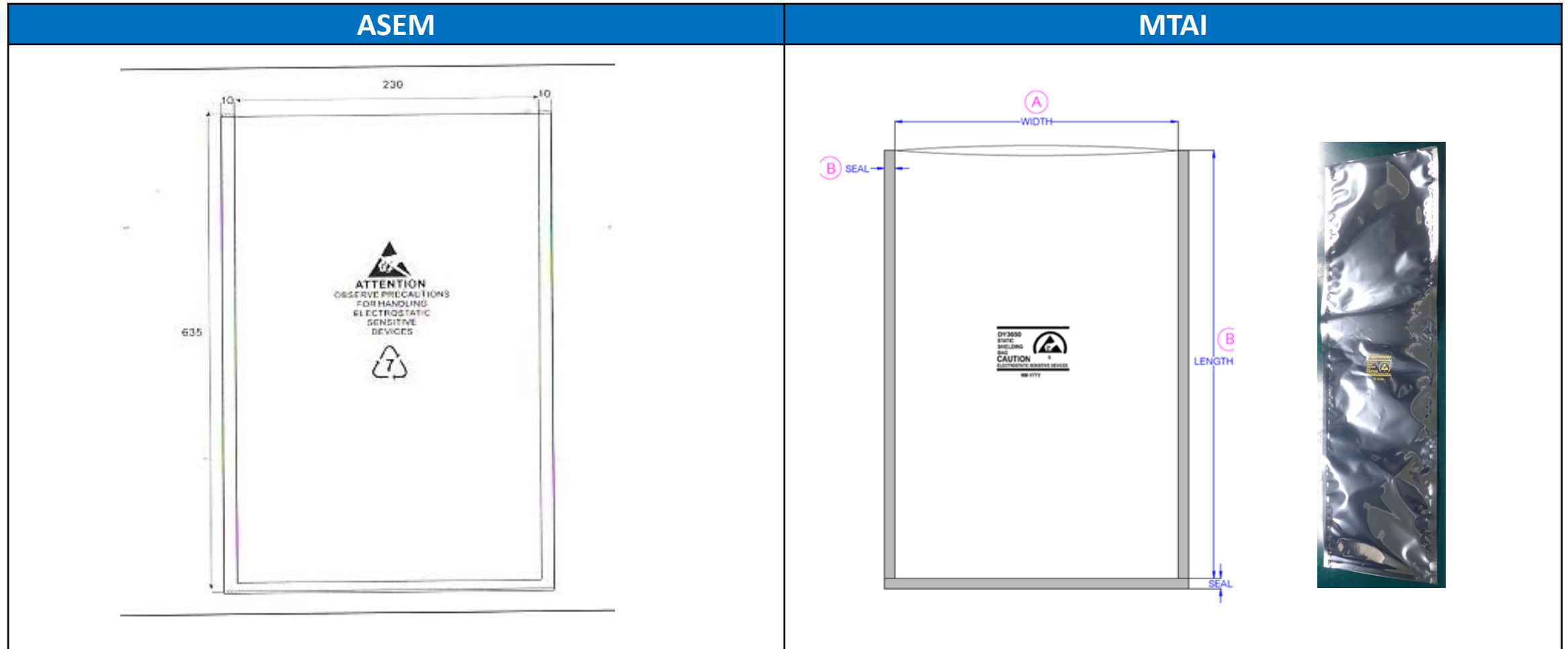
Plant	Tube Length (inch)	Dimension	Tube Color	Unit per Tube	Tubes per Bag
ASEM	20.00 ±0.05	See on drawing	Clear	46	25
MTAI	20.15 ±0.05	See on drawing	Clear	46	40

Note: The standard MTAI packing is 47 units per tube. The quantity per tube shown in the table above will support MASK: 1H001, 1H002, 1H010, 1H013, 1H015, V8013, V8014, V8015, V8016, V8031 transfer to MTAI only.

Pre and Post Change Summary – Tube (Pin 1 Orientation)

ASEM			MTAI		
					
Media	Pin1 Side Color	Opposite Side Color	Media	Pin1 Side Color	Opposite Side Color
Plug	White	Black	Plug	White	Black

Pre and Post Change Summary – Tube (Static Shielding Bag)



Plant	Bag type	Length (mm)	Width (mm)	Thickness (mm)
ASEM	Static Shielding Bag	635.00±5.00	230.00 ±5.00	0.0762
MTAI	Static Shielding Bag	650 +5/-0	160 +5/-0	0.0762

Pre and Post Change Summary – Tube (Packing Method)

ASEM	MTAI																																				
<p>Units in Dead bug position (mark face down) & Pin 1 inside MBB Kedudukan unit Dead bug (mark menghalak bawah) & pin 1 didalam MBB</p> <p>Fold the Faraday Bag and seal with transparent tape. Lipat Faraday bag dan seal dengan menggunakan clear tape.</p> <p>MCHP Standard Label</p> <p>Seal Area</p> <p>Static Shielding Bag</p> <p>MCHP Tube Inner Box Without MSID</p> <p>Transparent tape after QA B/Off</p> <p>MCHP Standard Label</p> <p>ASEM LotID Label</p> <p>Fold 1 piece of medium bubble wrap place on the top of the Faraday Bag. Lipat sekeping bubble wrap besar dan letakkan disebelah Faraday bag.</p> <p>Fold 1 piece of medium bubble wrap place at the bottom Lipat sekeping bubble wrap besar dan letakkan disebelah Faraday bag.</p> <table border="1" style="width: 100%; border-collapse: collapse; margin-top: 20px;"> <thead> <tr style="background-color: #cccccc;"> <th>Carton Type</th> <th>Packing method</th> <th>Dimension</th> </tr> </thead> <tbody> <tr> <td>1Q Tube Outer Box</td> <td>1 Tube Inner Box</td> <td>241 x 143 x 566 mm</td> </tr> <tr> <td>8Q Tube Outer Box</td> <td>2 Tube Inner boxes</td> <td>473 x 150 x 570 mm</td> </tr> <tr> <td>16Q Tube Outer Box</td> <td>4 Tube Inner Boxes</td> <td>473 x 281 x 570 mm</td> </tr> <tr> <td>24Q Tube Outer Box</td> <td>6 Tube Inner Boxes</td> <td>473 x 420 x 570 mm</td> </tr> </tbody> </table>	Carton Type	Packing method	Dimension	1Q Tube Outer Box	1 Tube Inner Box	241 x 143 x 566 mm	8Q Tube Outer Box	2 Tube Inner boxes	473 x 150 x 570 mm	16Q Tube Outer Box	4 Tube Inner Boxes	473 x 281 x 570 mm	24Q Tube Outer Box	6 Tube Inner Boxes	473 x 420 x 570 mm	<p>ANTI STATIC TAPE</p> <p>MSL-1 (No inner box) Carton for product in tubes media</p> <table border="1" style="width: 100%; border-collapse: collapse; margin-top: 20px;"> <thead> <tr style="background-color: #0056b3; color: white;"> <th>Carton</th> <th>Dimension W x L x H (cm)</th> <th>Number of Bag/carton</th> </tr> </thead> <tbody> <tr> <td>M01-025 (C1)</td> <td>15x64x5.5</td> <td>1</td> </tr> <tr> <td>M01-026 (C2)</td> <td>15x64x10</td> <td>2</td> </tr> <tr> <td>M01-027 (C3)</td> <td>15x64x14</td> <td>3</td> </tr> <tr> <td>M01-028 (C4)</td> <td>28x63x11</td> <td>4</td> </tr> <tr> <td>M01-029 (C6)</td> <td>28x63x15.5</td> <td>6</td> </tr> <tr> <td>M01-030 (C8)</td> <td>28x63x20</td> <td>8</td> </tr> </tbody> </table> <p>Example:</p>	Carton	Dimension W x L x H (cm)	Number of Bag/carton	M01-025 (C1)	15x64x5.5	1	M01-026 (C2)	15x64x10	2	M01-027 (C3)	15x64x14	3	M01-028 (C4)	28x63x11	4	M01-029 (C6)	28x63x15.5	6	M01-030 (C8)	28x63x20	8
Carton Type	Packing method	Dimension																																			
1Q Tube Outer Box	1 Tube Inner Box	241 x 143 x 566 mm																																			
8Q Tube Outer Box	2 Tube Inner boxes	473 x 150 x 570 mm																																			
16Q Tube Outer Box	4 Tube Inner Boxes	473 x 281 x 570 mm																																			
24Q Tube Outer Box	6 Tube Inner Boxes	473 x 420 x 570 mm																																			
Carton	Dimension W x L x H (cm)	Number of Bag/carton																																			
M01-025 (C1)	15x64x5.5	1																																			
M01-026 (C2)	15x64x10	2																																			
M01-027 (C3)	15x64x14	3																																			
M01-028 (C4)	28x63x11	4																																			
M01-029 (C6)	28x63x15.5	6																																			
M01-030 (C8)	28x63x20	8																																			